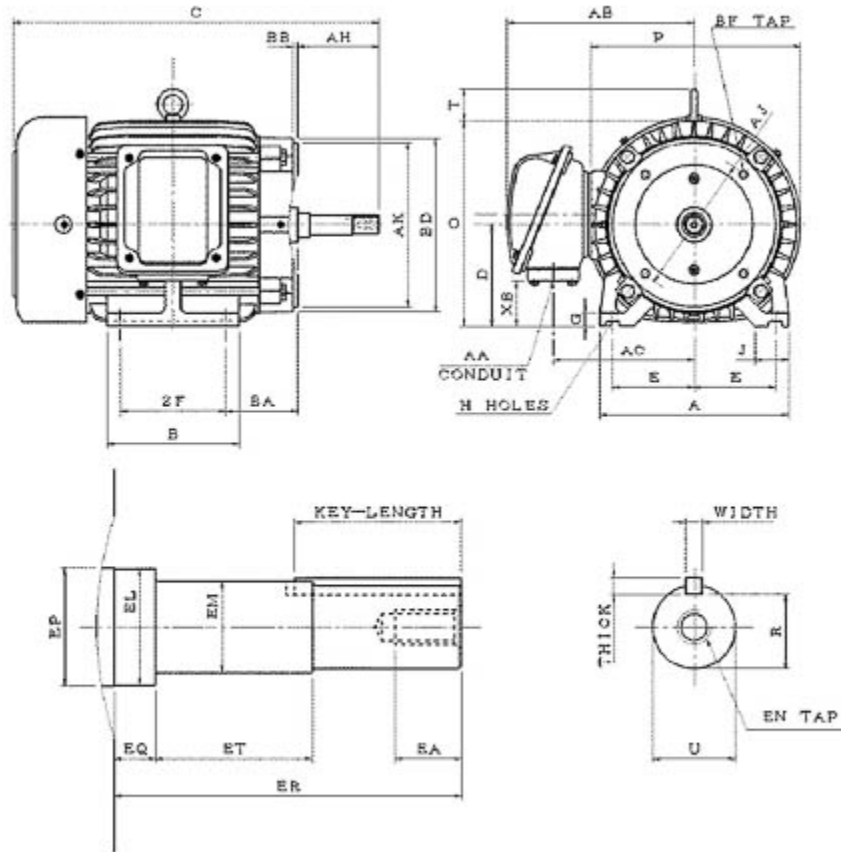


Dimensional Drawing

| | | | | | | | | |
|-----------|-----------|----|------|-----|------------|---------|----|------|
| Catalogue | Model | HP | Pole | kW | Rating | Voltage | Hz | RPM |
| CJM01045 | AEHH8N_JM | 10 | 4 | 7.5 | Continuous | 575 V | 60 | 1800 |



AEHH8N-JM-SMP-3

| Frame Size | Mounting | | | | | A | B | C | CD | D | |
|------------------|----------|------|----------|--------|--------------------|-------------|------------|-------|----------------|------------|--------------|
| | E | 2F | 2F2 | H | BA | | | | | | |
| 215JM | 4.25 | 7 | | 0.41 | 3.75 | 9.85 | 8.35 | 20.87 | | 5.25 | |
| G | J | K | L | M | O | P | T | Key | | | Keyseat |
| 0.7 | 1.75 | | | | 10.63 | 11.1 | 1.65 | Width | Thick | Length | R |
| | | | | | | | | 0.188 | 0.188 | 1.65 | 0.771 |
| Terminal Housing | | | Aux Box | | | C/D Flange | | | | | |
| AA | AB | AC | XB | AE | AX | BB | AH | AK | BD | AJ | BF |
| 1" | 9.78 | 7.34 | 2.34 | | | 0.25 | 4.25 | 8.5 | 8.98 | 7.25 | 4-1/2"-13UNC |
| Shaft Extension | | | Bearings | | Approx. Weight Lbs | SPL dBA/3ft | Ins. Class | S.F. | Drive Method | Dimensions | |
| N-W | U | V | DE | NDE | | | | | | | |
| | 0.875 | | 6308ZZ | 6306ZZ | 200 | 60 | F | 1.15 | DirectCoupling | Inches | |

Technical Data Sheet

Motor Type: AEHH8N_JM

Catalogue No: CJM01045

Nameplate Information

| | | | | | | |
|-----------|------------|----------------|-------------|-------------|--------------|----------------|
| HP | Pole | RPM | Frame | Voltage | Hz | Phase |
| 10 | 4 | 1755 | 215JM | 575 | 60 | 3 |
| Enclosure | Ins. Class | Service Factor | Time Rating | NEMA Design | Rated Amb. | Rated Altitude |
| TEFC | F | 1.15 | Continuous | B | -40 to 40 °C | <3300 ft |

Typical Performance

| Efficiency (%) | | | | Power Factor (%) | | |
|-------------------|-----------------------------|---------------------------------|--------------------------------------|---------------------|-----------|--------------------------------|
| Full Load | | 3/4 Load | 1/2 Load | Full Load | 3/4 Load | 1/2 Load |
| Nom. | Min. | | | | | |
| 91.7 | 90.2 | 91.0 | 91.0 | 88.0 | 84.0 | 75.5 |
| Torque | | | | Current (A) | | |
| Full Load (lb-ft) | Locked Rotor (% FLT) | Pull Up (% FLT) | Break Down (% FLT) | No Load | Full Load | Locked Rotor |
| 29.92 | 250 | 145 | 260 | 2.7 | 9.3 | 65 |
| NEMA KVA Code | Inertia (WR ²) | | | Safe Stall Time (s) | | Noise Level Sound Press. dB(A) |
| | Rotor (lb-ft ²) | NEMA Load (lb-ft ²) | Max. Allowable (lb-ft ²) | Cold | Hot | |
| H | 1.082 | 51 | 175 | 40 | 28 | 60 |

VFD Duty Information

| Speed Range | | | VFD | | S.F. |
|-----------------|-----------------|----------------|---------|--------------|----------|
| Constant Torque | Variable Torque | Constant Power | Carrier | Type | |
| 6-60Hz | 3-60Hz | 60-120Hz | ≤ 5 kHz | VPWM or CPWM | 1.0 Only |

Additional Information

| Bearings | | Approx. Weight |
|----------|--------|----------------|
| DE | NDE | lbs |
| 6308ZZ | 6306ZZ | 200 |

Hazardous Locations Information

| CSA Certified | |
|---|-----------|
| Class I, Div 2, Groups B, C & D | |
| Class I, Zone 2, Groups IIB+H2, IIB & IIA | |
| Temp Code (Sinewave / VFD) | T3C / T3B |