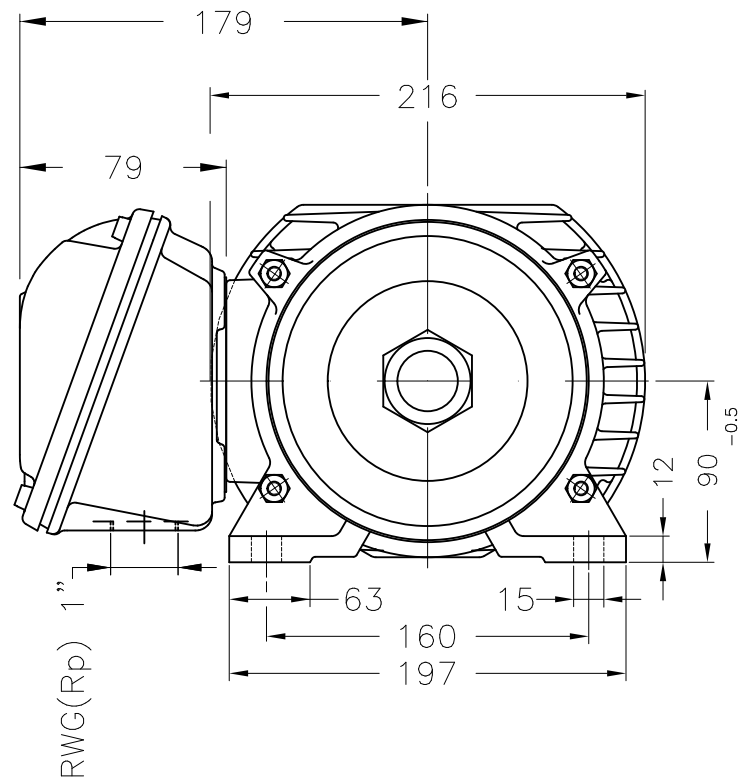
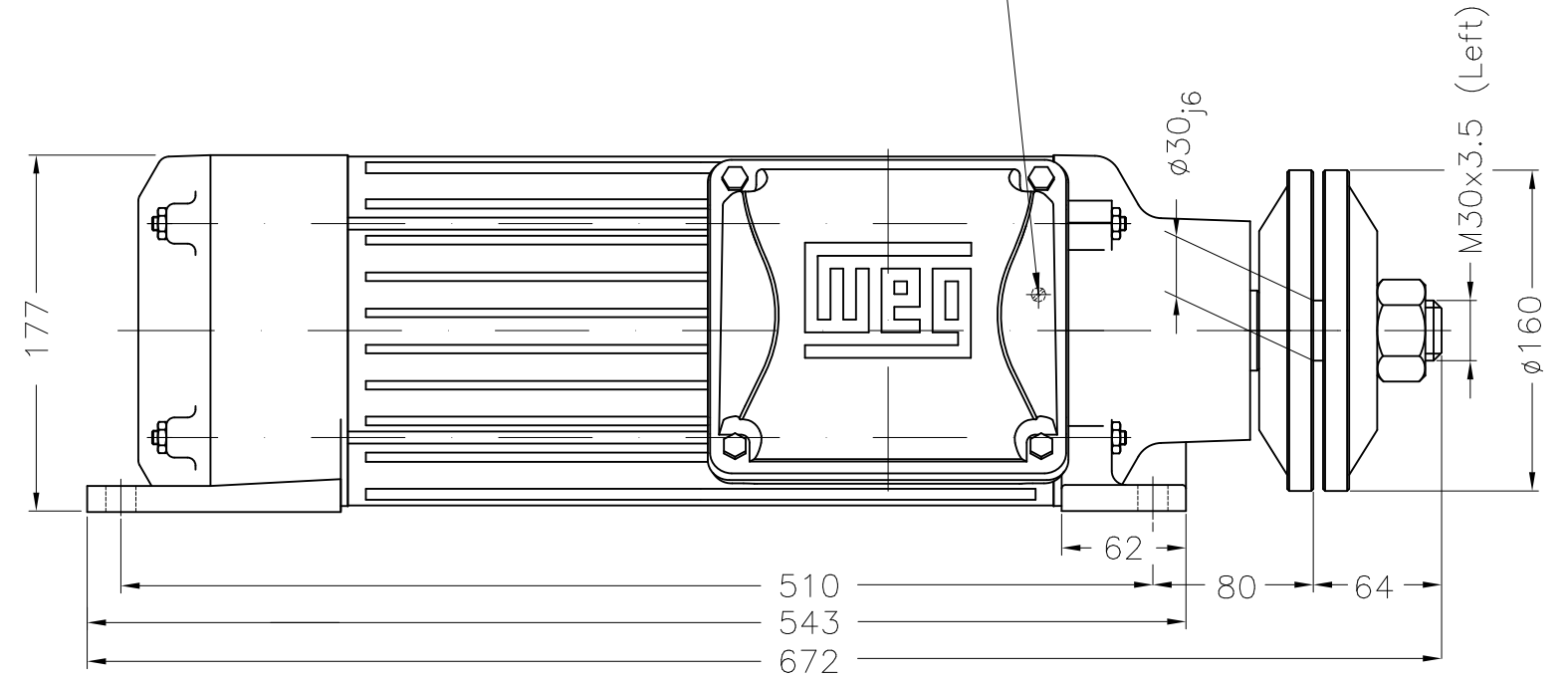


Dimensões em mm  
Dimensions in mm

THIS IS AN UPDATED REVISION, THE  
PREVIOUS ONE MUST BE DISREGARDED.



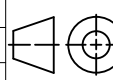
Grounding for leads 2-10 mm<sup>2</sup> / 14-7 AWG



Color RAL 7022

Painting plan 207A

Mounting B3R(D)

ECM	LOC	SUMMARY OF MODIFICATIONS			EXECUTED	CHECKED	RELEASED	DATE	VER
EXECUTED	USERADMIN		THREE PHASE SAW ARBOR MOTOR						
CHECKED			FRAME 90L/MS IP54 TEFC						
RELEASED			WEG code: 10780315						
REL DT	24.07.2017	WMO	Jaragua do Sul	Product Engineering	SHEET	1 / 1			

5 HP 04 Poles 60Hz

A



ZME A3