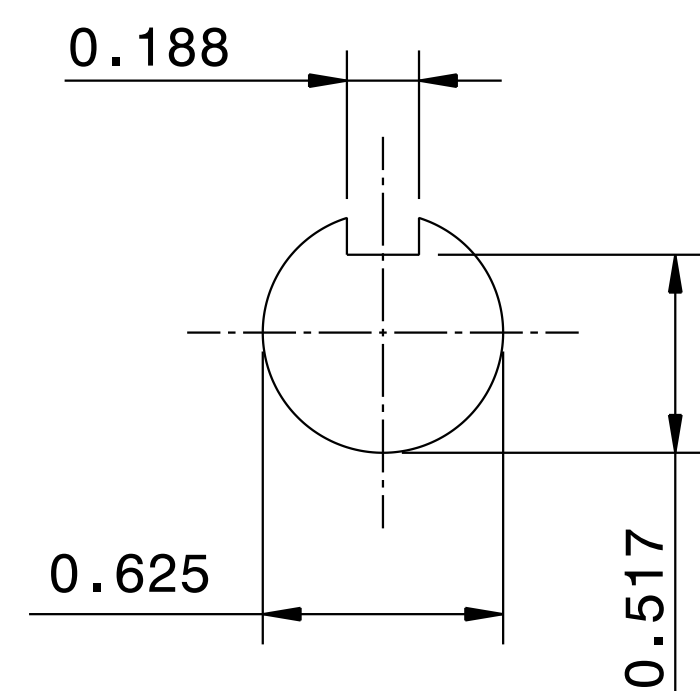
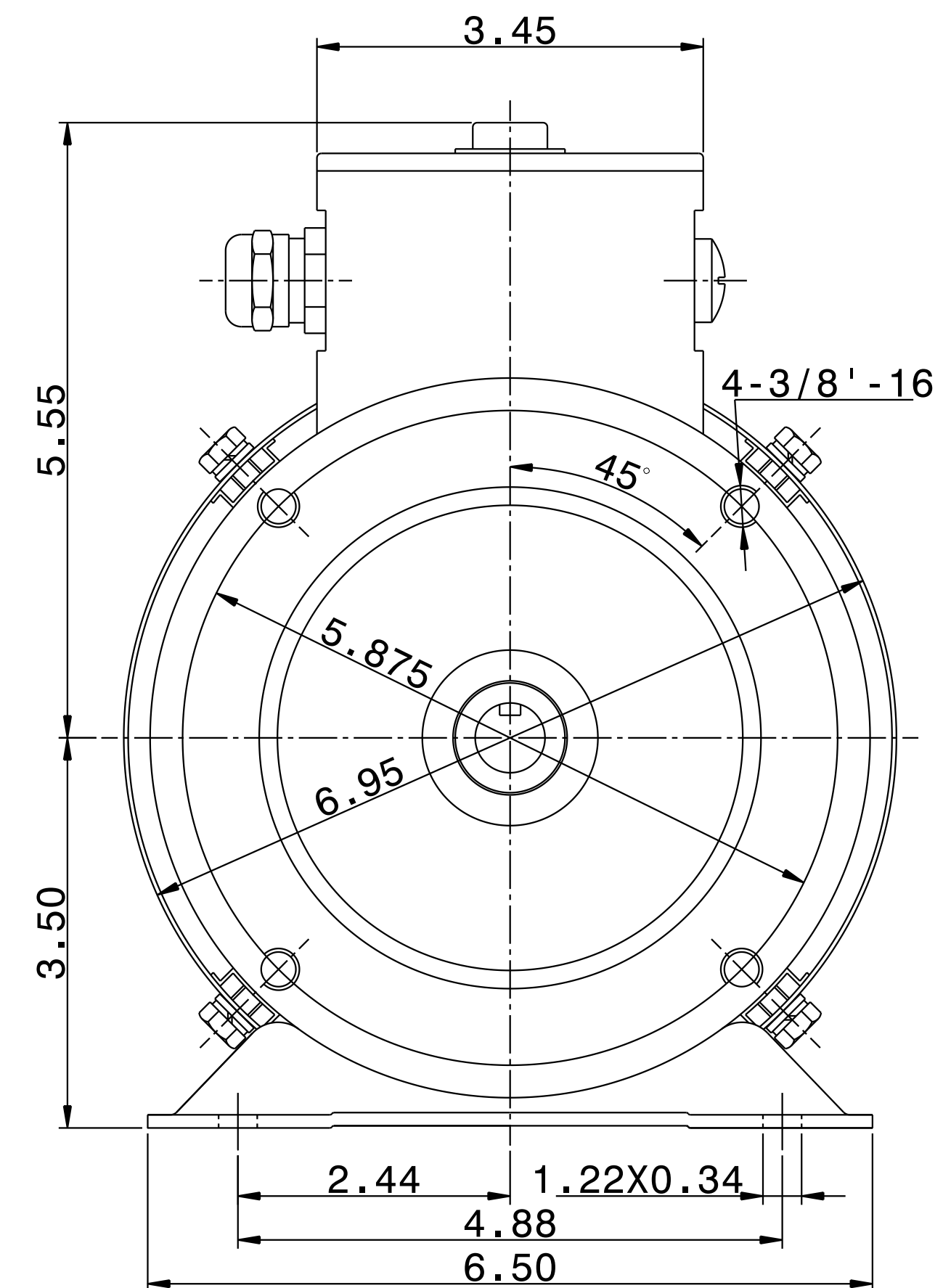
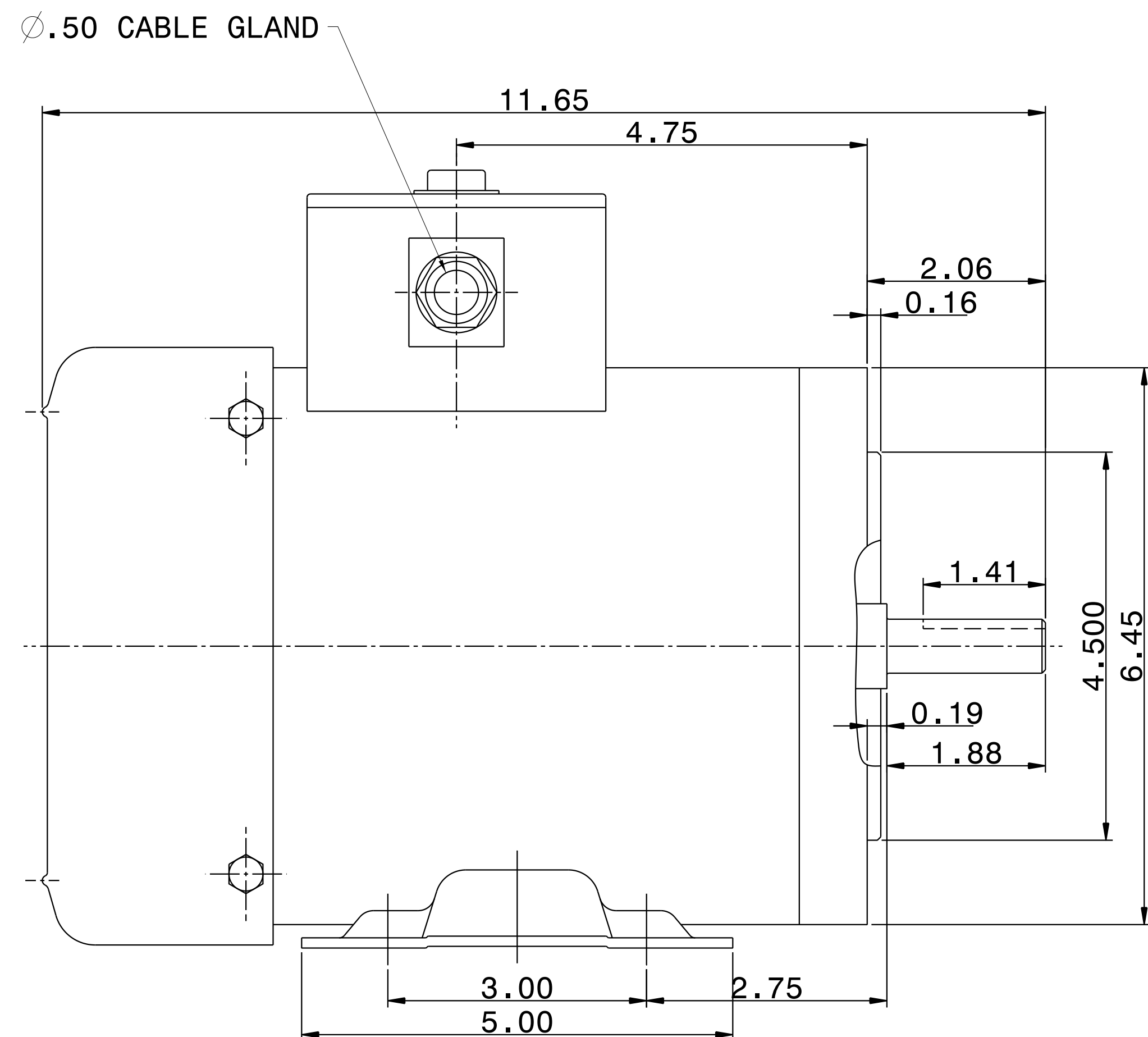


CATALOG #	TYPE	FRAME	OUTPUT		POLE	SYN. SPEED R.P.M.	VOLTAGE V.	Hz.	TIME RATING	INSULATION CLASS	SERVICE FACTOR	WEIGHT LBS
			HP	kW								
WPO/54C	AEGP	A56C	.5	.37	4	1800	230/460	60	CONT.	F	1.15	31 LBS.

TOTALLY ENCLOSED FAN-COOLED TYPE. SQUIRREL CAGE MOTOR



- NOTES: 1. DIMENSIONS IN INCH.
 2. ENCLOSURE: IP56.
 3. FOR DIRECT FLEXIBLE COUPLING.
 4. STAINLESS STEEL CONSTRUCTION.

REV. DATA	REV. NO
TECO Westinghouse	01
3-PHASE INDUCTION MOTOR OUTLINE DIMENSIONS	DWG NO. WPO/54C
DWN T. FELPS	020713
APPD S. GROHOSKY	020713
TECO-WESTINGHOUSE MOTOR COMPANY	ROUND ROCK, TEXAS USA