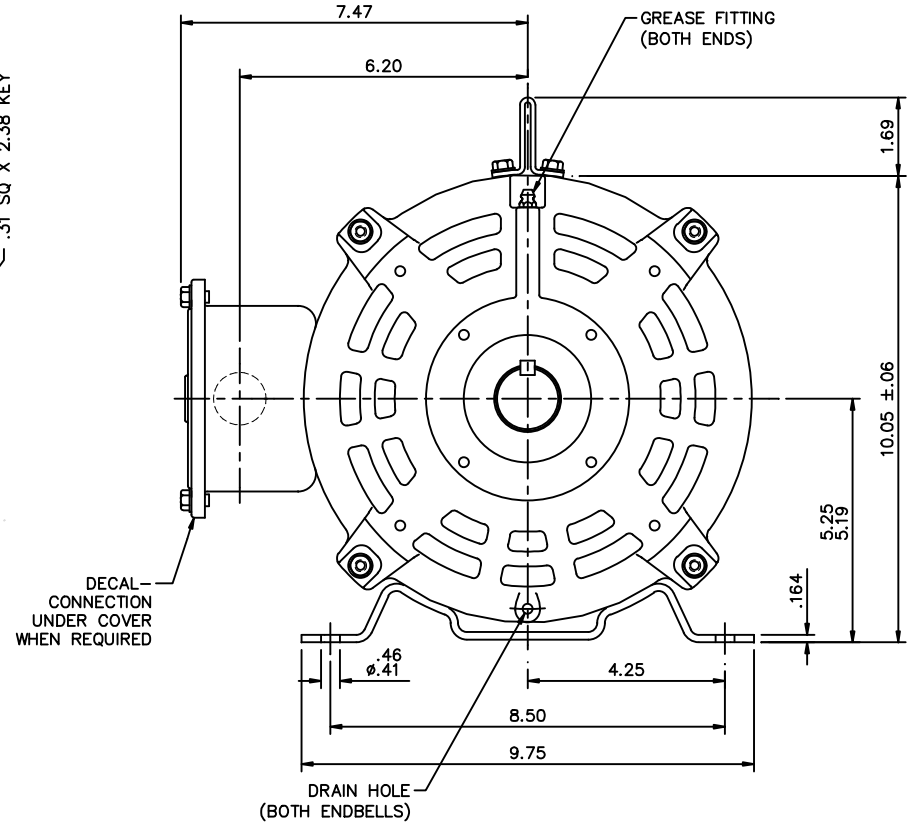
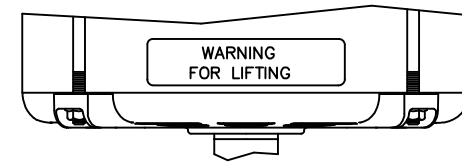


(2)  $\phi$ 1.13  
CONDUIT HOLE  
(PLUGGED)



DASH NO.	"C"	"AD"
1000	15.25	4.50
1050	15.75	5.00
1100	16.25	5.50
1150	16.75	6.00
1200	17.25	6.50
1250	17.75	7.00

		TOLERANCES UNLESS SPECIFIED			ELECTRIC MOTORS GEARMOTORS AND DRIVES	DRAWN	LST 2/11/03		
		DEC.	INCHES			CHK	APPD	RW 2/12/03	
		.X	±.1		TITLE	SCALE	3=8		
02	UPDATED PER MT2 CONVERSION	.XX	±.03		OUTLINE- 210T FRAME	REF	OL140470		
01	4 HOLES ADDED IN DE BKT,N/P REVISED-ISAAC.09-4736	.XXX	±.005		DRIP PROOF- RIGID	FMF			
		.XXXX	±.0005		WATTSAYER	PREV			
NO.	REVISION	BY & DATE	CHK	ANG	FINISH	SIZE	DRAWING NO.	REV.	
	THIS DRAWING IN DESIGN AND DETAIL IS OUR PROPERTY AND MUST NOT BE USED EXCEPT IN CONNECTION WITH OUR WORK ALL RIGHTS OF DESIGN AND INVENTION ARE RESERVED THIS IS AN ELECTRONICALLY GENERATED DOCUMENT - DO NOT SCALE THIS PRINT						B	037605	02
			RFP		CAD FILE	037605			
			DIST						