

DATE
OCTOBER 29, 2009

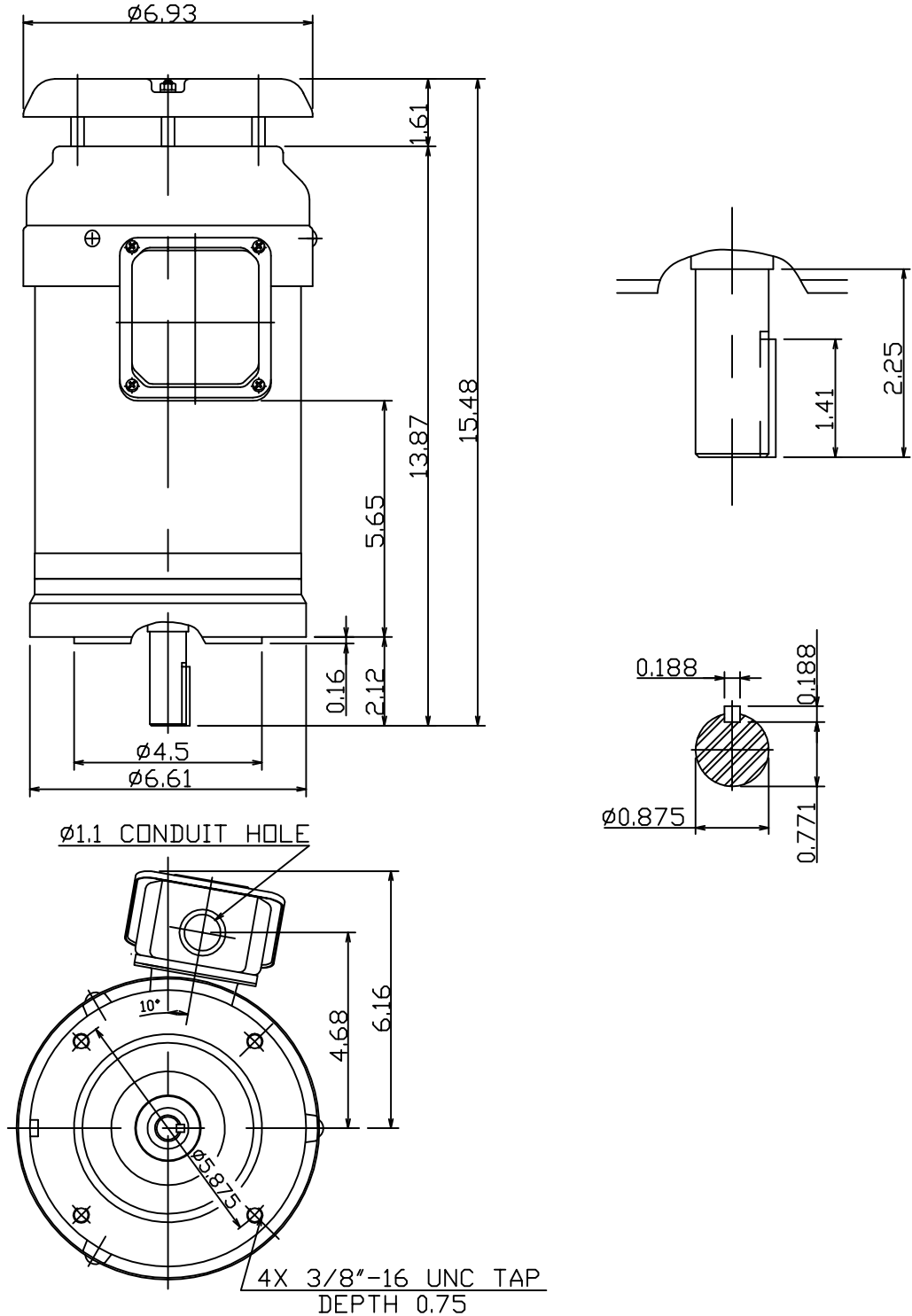
OUTLINE DIMENSIONS
3-PHASE INDUCTION MOTOR

MOTOR TYPE:
AETHCF
FRAME NO. 143TC

CAT. #: GPV0012C

| | | | | | |
|------|----|-----|----|---------|-------------------------|
| Pole | HP | kW | Hz | VOLT | Syn.Speed r/min(rpm) |
| 2 | 1 | .75 | 60 | 230/460 | 3600 |

| | | | | |
|-----|--------|--------------|---------------|------------------------|
| Ins | Rating | Dimension in | Approx Weight | Bearings |
| F | CONT. | inch. | 33 lbs. | DE: 6205ZZ NDE: 6204ZZ |



09.24.09 防雨蓋尺寸變更 陳奕元

| | | | |
|----------------|----------|-------------------|--------------|
| DWN, Y.Y.CHEN | 09-22-09 | TECO Westinghouse | DWG NO. |
| CHKD, C.Y.CHEN | 09-24-09 | | 31049Z107741 |
| APPD, M.C.TSAI | 09-24-09 | | |