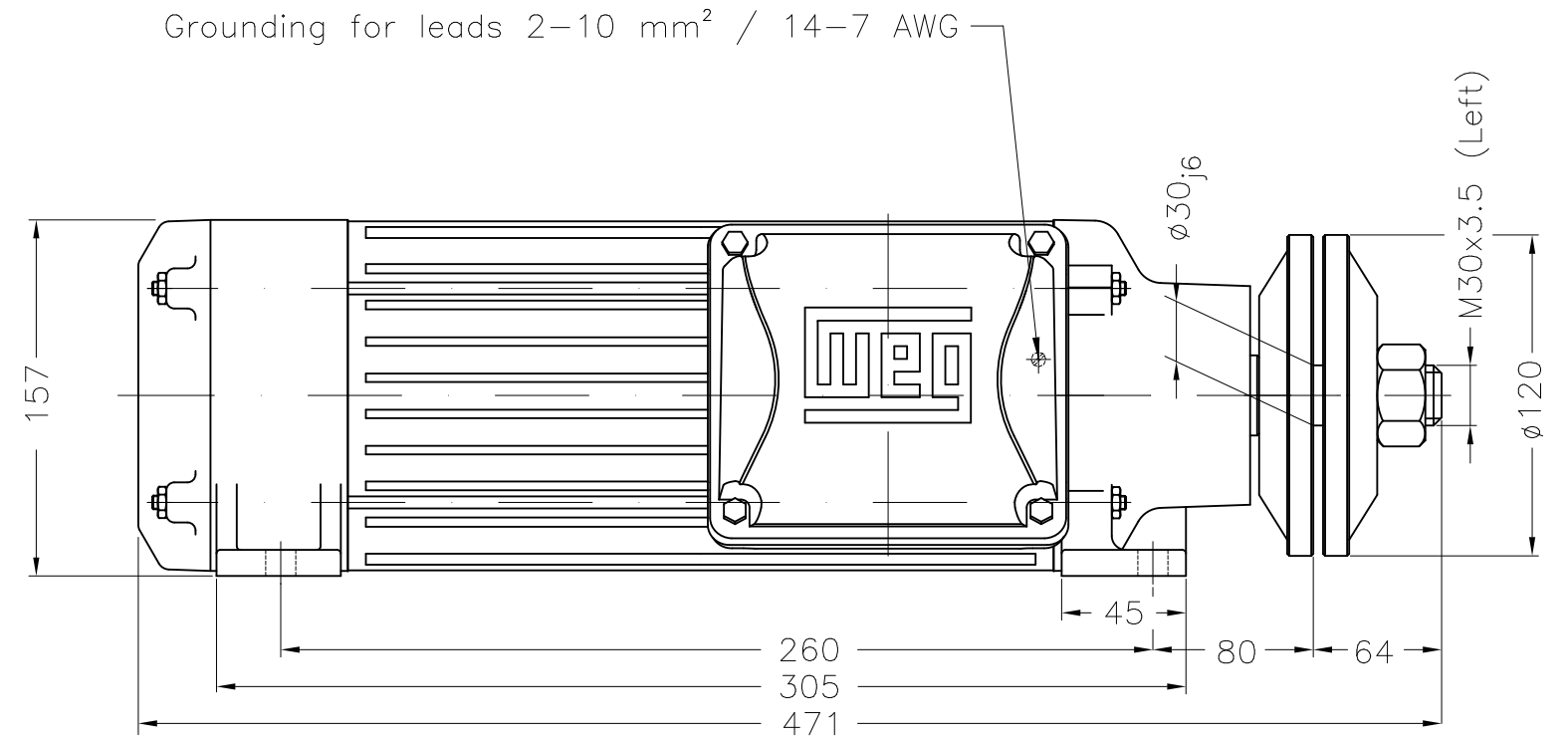
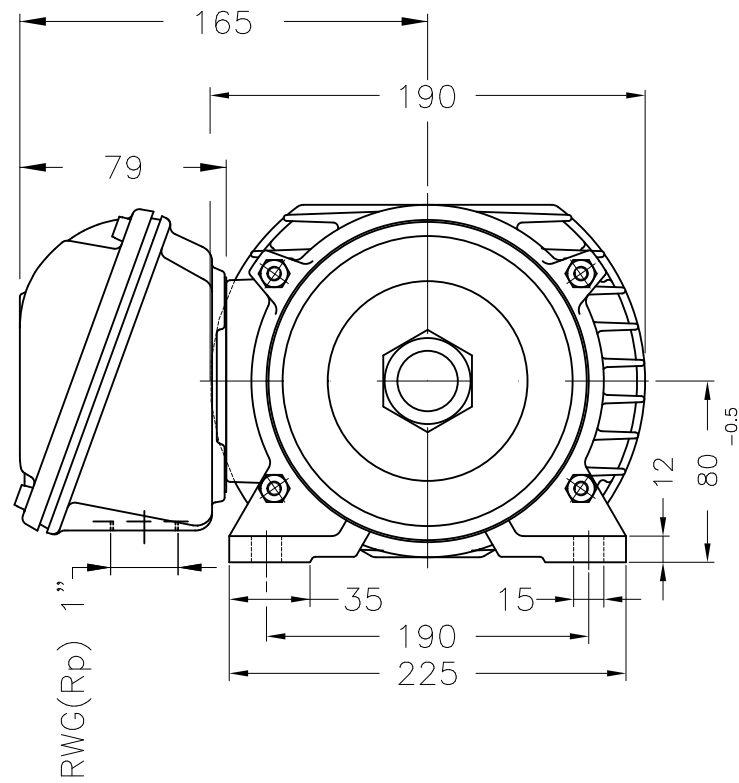


Dimensões em mm
Dimensions in mm

THIS IS AN UPDATED REVISION, THE
PREVIOUS ONE MUST BE DISREGARDED.

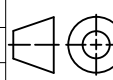


Without OFF thermal protection

Color RAL 7022

Painting plan 207A

Mounting B3R(D)

ECM	LOC	SUMMARY OF MODIFICATIONS			EXECUTED	CHECKED	RELEASED	DATE	VER
EXECUTED	USERADMIN		THREE PHASE SAW ARBOR MOTOR						
CHECKED			FRAME 80S/MS IP54 TEFC						
RELEASED			WEG code: 10023141						
REL DT	24.07.2017	WMO	Jaragua do Sul	Product Engineering	SHEET	1 / 1			

3 HP 02 Poles 60Hz

A



ZME A3