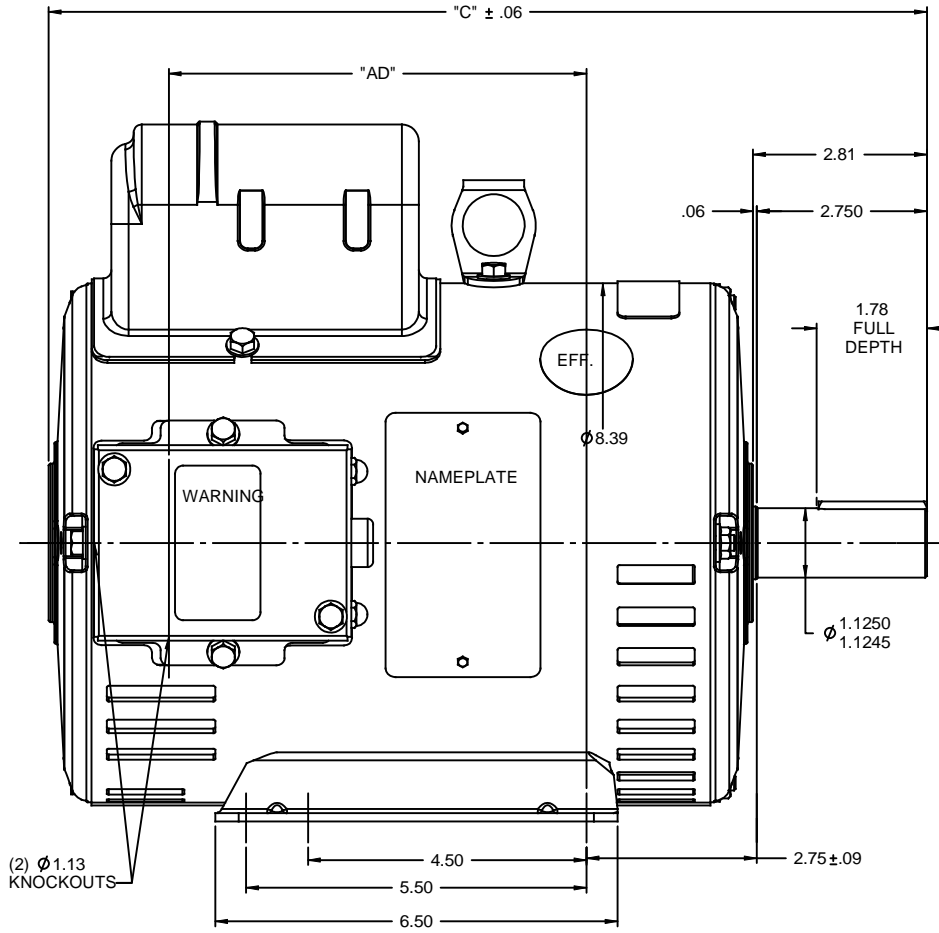


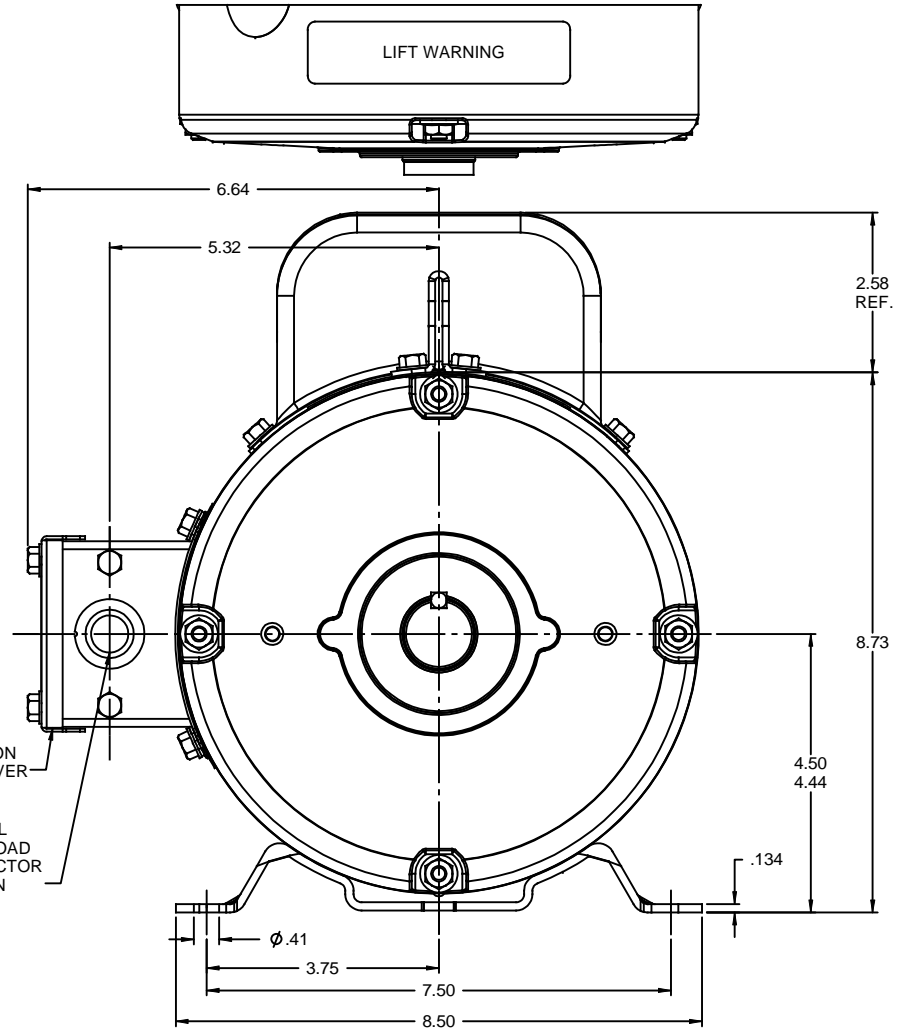
RBC PROPRIETARY AND CONFIDENTIAL INFORMATION
 This document is the property of REGAL BELOIT CORPORATION ("RBC") including its subsidiaries and divisions and contains proprietary information of RBC. This document is loaned on the express condition that neither it nor the information contained therein shall be disclosed to others without the express written consent of RBC, and that the information shall be used by the recipient only as approved expressly by RBC. This document shall be returned to RBC upon its request. This document may be subject to certain restrictions under U.S. export control laws and regulations.



(2) Ø 1.13
KNOCKOUTS

DECAL-
CONNECTION
UNDER COVER

MANUAL
OVERLOAD
PROTECTOR
BUTTON



GASKETS THROUGHOUT

DASH NO.	"C"	"AD"
950	13.69	6.25
1000	14.19	6.75
1050	14.69	7.25
1100	15.19	7.75
1150	15.69	8.25
1200	16.19	8.75
1250	16.69	9.25

NO.		REVISION	BY & DATE	CHK	ANG	FINISH	SIZE	DRAWING NO	REV
-		UPDATED & REDRAWN ON SOLIDWORKS	LST 11/16/2009	XX	XXX	MAT'L	B	035372	-
				RFP	PREV				
				THIRD ANGLE PROJECTION					
				TOLERANCES UNLESS SPECIFIED:		REGAL BELOIT CORPORATION		DRAWN PG 10/2/97	
				DEC	INCHES			CHK	
				X	±.1			APPR PG 10/2/97	
				.XX	±.03	TITLE OUTLINE - 180T FRAME		SCALE 1:2	
				.XXX	±.005	DRIP PROOF - RIGID MOUNT - 1 PH		REF	
				.XXX	±.0005			FMF	
				ANG	±1/2°			PAGE OF	
				FINISH					
				PREV					
				NETWORK FILE NAME					