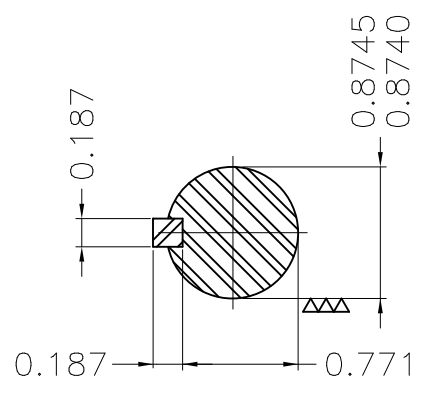
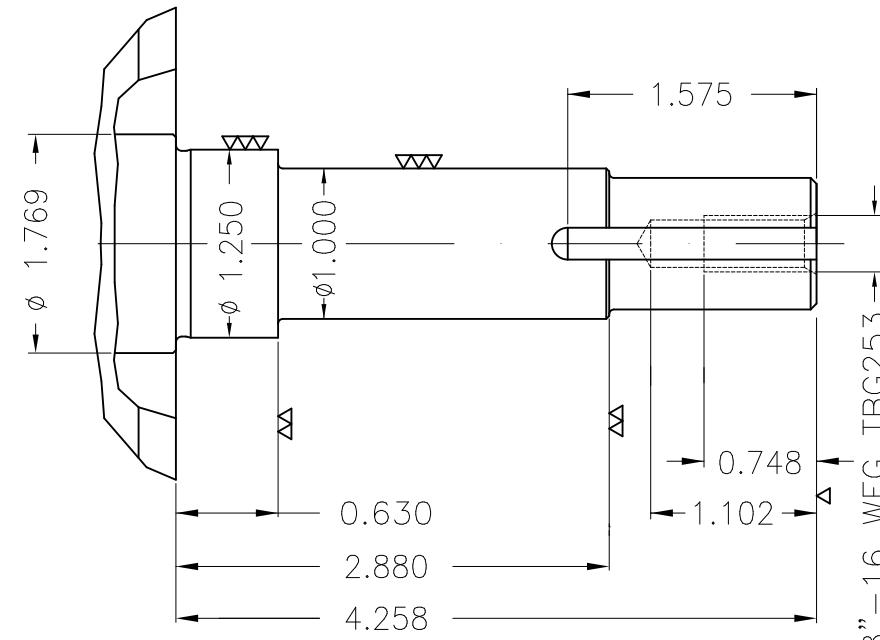
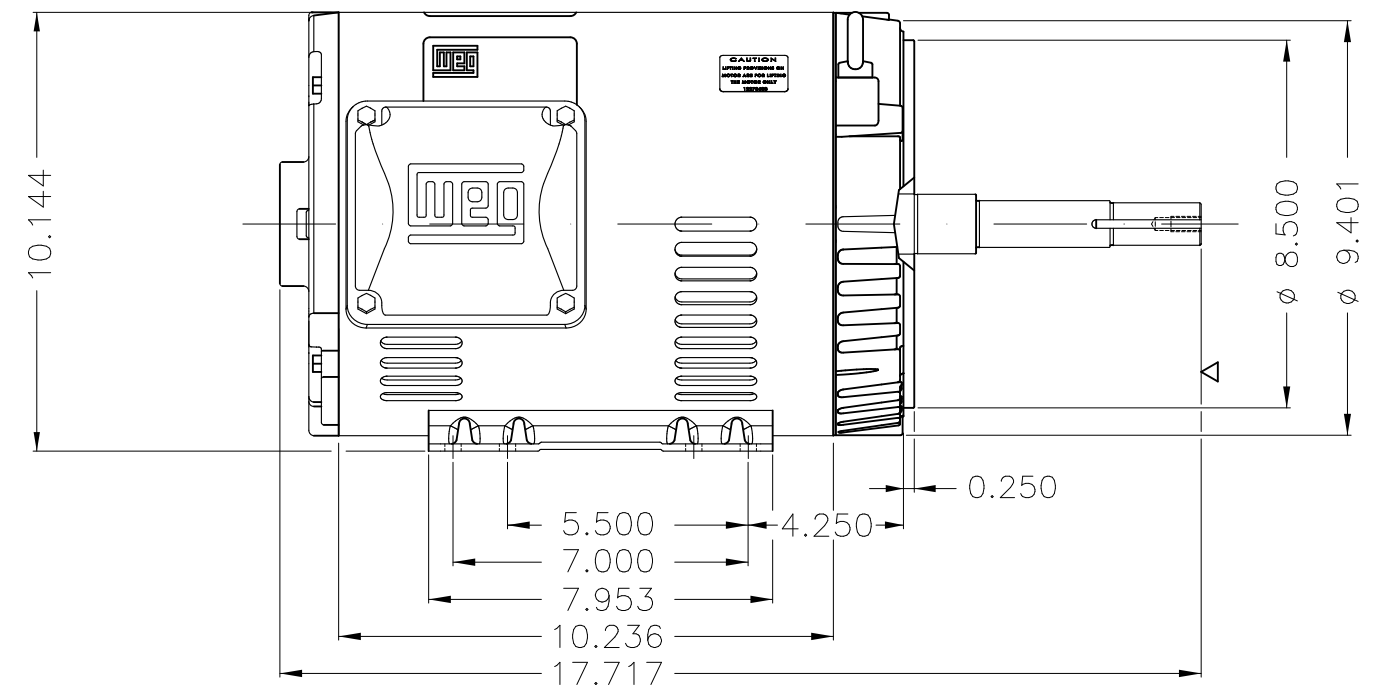
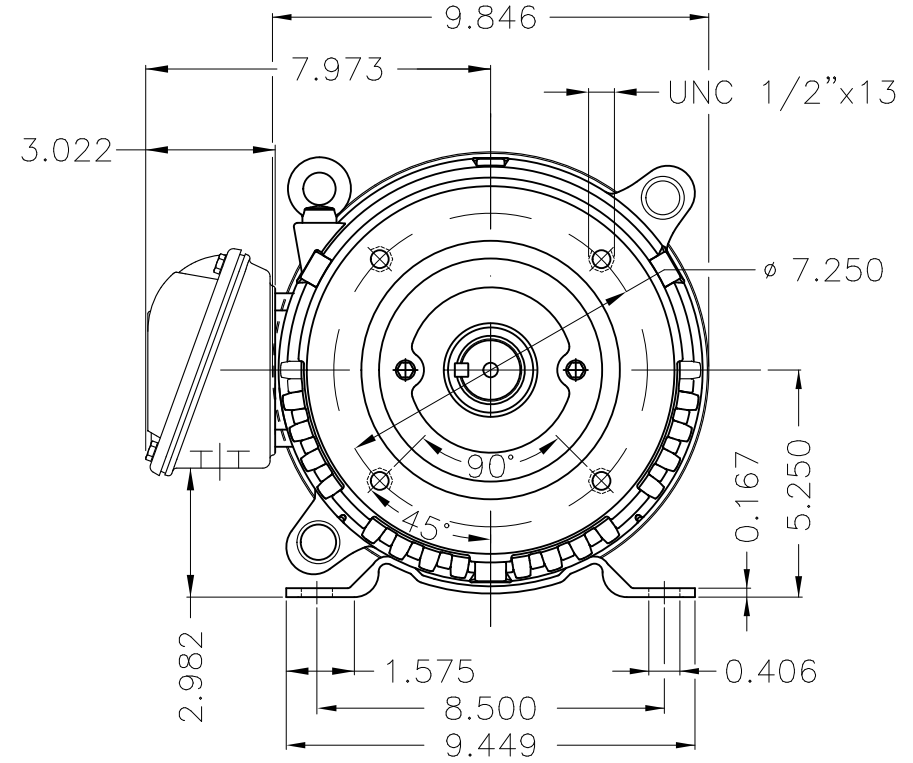
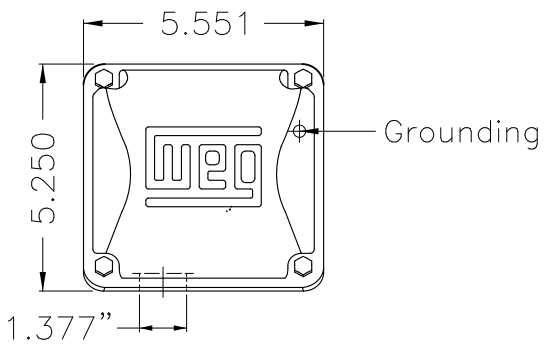


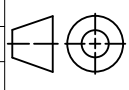
Dimensões em polegada
Dimensions in inches

THIS IS AN UPDATED REVISION, THE
PREVIOUS ONE MUST BE DISREGARDED.



EUNC 3/8" - 16 WEG TBG253

Color Munsell N 1 matte black
Painting plan 207N
Mounting F-1/B34R(D)

| ECM | LOC | SUMMARY OF MODIFICATIONS | | | EXECUTED | CHECKED | RELEASED | DATE | VER |
|----------|------------|---|---|---------------------|----------|---------|----------|------|-----|
| EXECUTED | USERADMIN |  | THREE PHASE ODP ROLLED STEEL NEMA PREM. | | | | | | |
| CHECKED | | | FRAME 213/5JM ODP | | | | | | |
| RELEASED | | | WEG code: 12676982 | | | | | | |
| REL DT | 24.07.2017 | WMO | Jaragua do Sul | Product Engineering | SHEET | 1 / 1 | | | |

10 HP 04 Poles 60Hz

