

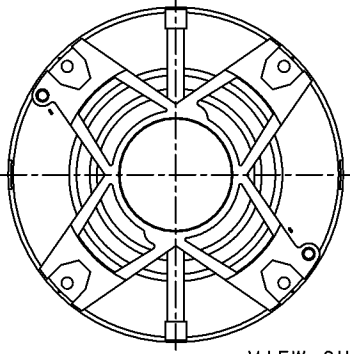


THIRD ANGLE PROJECTION

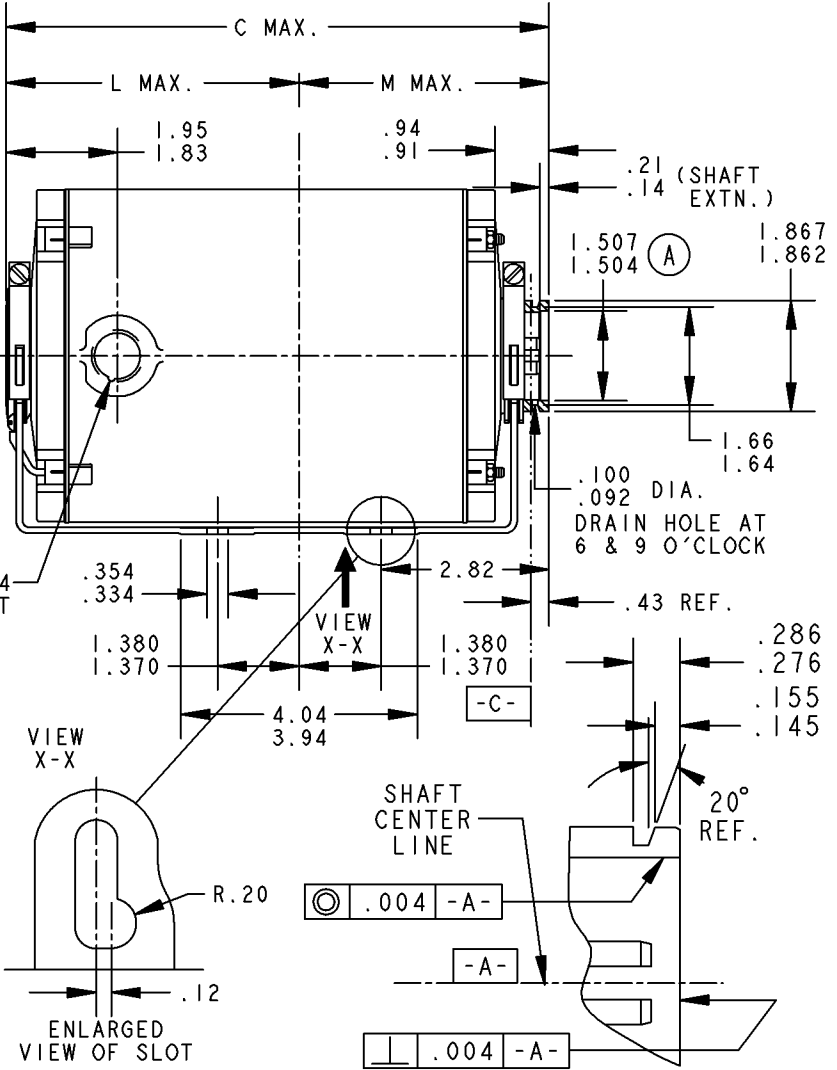
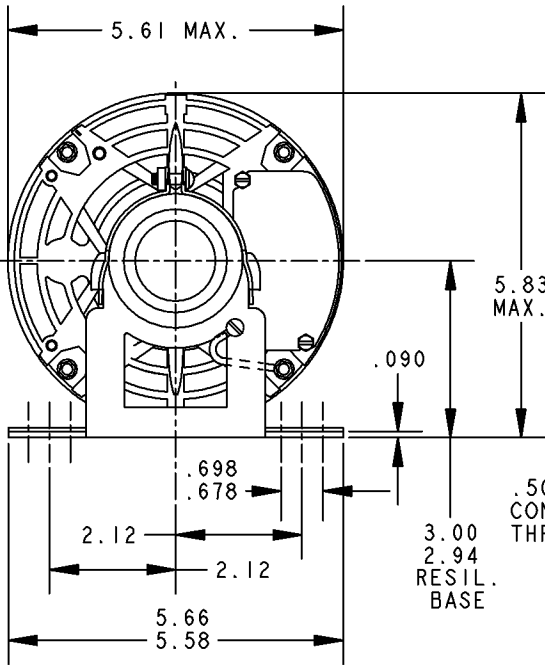
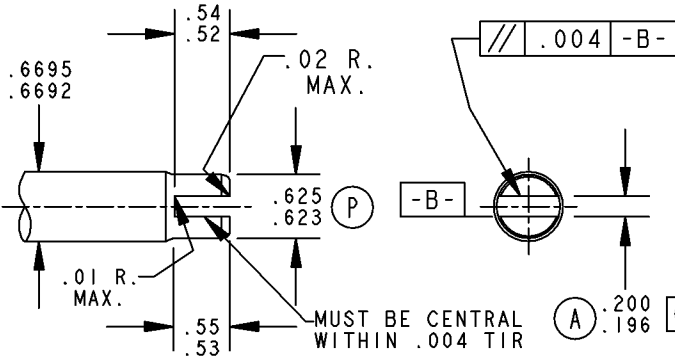
REVISIONS			
REV.	DESCRIPTION	DATE	APPROVED
1	ADDED PART# 2 PER IS07-2678	01/28/08	BOMMU

SHEET 1  
REV 52A111834 1  
SIZE DRAWING NO. A

CONTROL SURFACES & DIMENSIONS  
 (P) PROC.  
 (E) ENG.  
 (A) APPL.  
 (R) REG.



VIEW SHOWING P.E. VENTILATION OPENINGS



2	KH	37	48Y	9.15	5.01	4.28
1	KH	36	48Y	8.75	4.61	4.28
P	TYPE	RBC SIZE	NEMA FR	C	L	M

SIGNATURES		DATE
MODEL	VINAY	12/10/07
DETAIL	.	.
CHECKED	.	.
ENGRG	.	.
MFG	.	.
QUALITY	.	.
ISSUED	VINAY	12/10/07

FOR ADDITIONAL INFO REFER TO: APPLIED PRACTICES

DIMENSIONS ARE IN INCHES ✓

MATERIAL SOLID MODEL: 52A111834



REGAL-BELOIT CORPORATION

TITLE  
**OUTLINE**  
**CARBONATOR PUMP - DRIP PROOF**  
**RESIL. BASE - BALL BRG.**

SIZE DRAWING: A

SCALE: 1.000 REF. No: .

REV 1  
**52A111834**

SHEET 1 of 1

