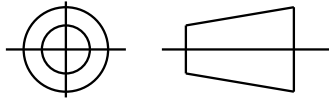


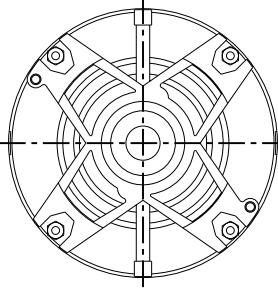
SHEET 1
REV 4
52A106685
SIZE DRAWING NO. A

THIRD ANGLE PROJECTION



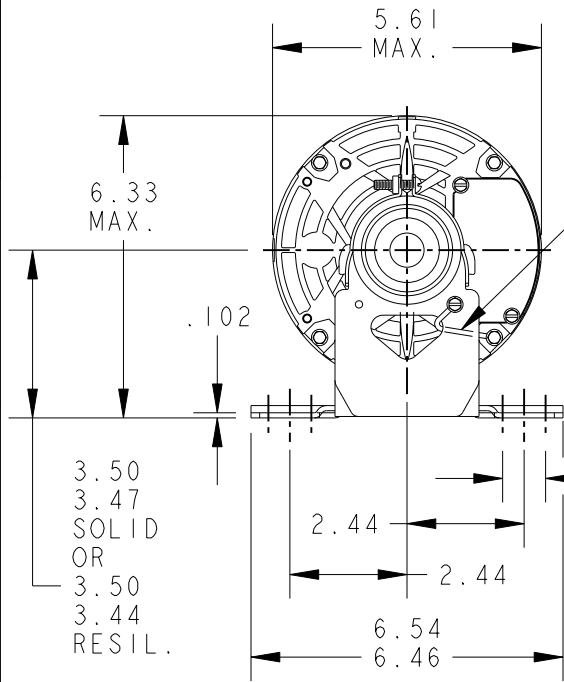
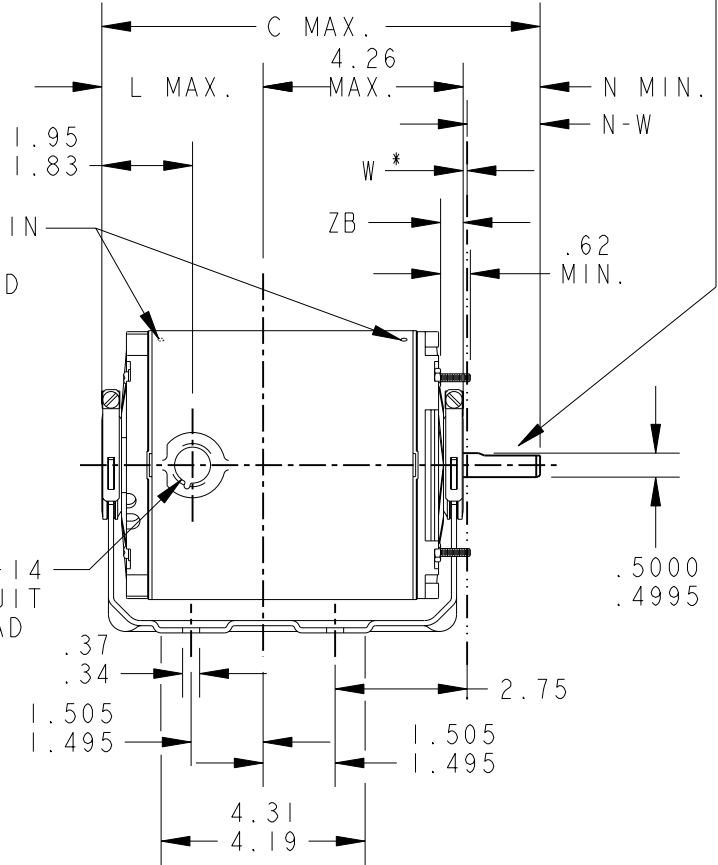
REVISIONS

REV.	DESCRIPTION	DATE	APPROVED
2	REDRAWN BY 2M SOFTWARE CO.	02/11/95	CCP
3	ADDED PART #5.	04/23/96	M.D.PAPE
4	CHG TO RBC FORMAT PER ISO5-1777	02/14/06	SUDHA



VIEW SHOWING P.E. VENTILATION OPENINGS


.458 X (K) LG.
.448 FLAT



W * IS A CLEARANCE DUE TO VARIATION IN PARTS AND ASSEMBLY.

5	KH	38	56Z	11.44	1.50	5.23	2.00	2.13/1.91	.55/.52
4	KH	35	56Z	9.51	1.16	3.80	1.50	1.63/1.41	.55/.52
3	K KH	37	56Z	10.34	1.16	4.63	1.50	1.63/1.41	.55/.52
2	KH	36	56Z	9.94	1.16	4.23	1.50	1.63/1.41	.55/.52
1	KH	33	56Z	9.13	1.16	3.42	1.50	1.63/1.41	.55/.52
P	TYPE	GE SIZE	NEMA FR	C	K	L	N	N-W	ZB

SIGNATURES		DATE
MODEL	D.A.BAESKE	09/06/88
DETAIL	.	.
CHECKED	.	.
ENGRG	.	.
MFG	.	.
QUALITY	.	.
ISSUED	C.C.P.	02/11/95
SOLID MODEL:	52A106685	



REGAL-BELOIT CORPORATION

TITLE
OUTLINE

FORM N - GENERAL PURPOSE MOTOR - DRIP PROOF - SOLID OR RESIL. BASE - BALL OR SLEEVE BEARING FMF: 5KH39QN9180T

SIZE DRAWING: A

SCALE: 0.250 REF. No: .

SHEET 1 of 1

FOR ADDITIONAL INFO REFER TO:
APPLIED PRACTICES
DIMENSIONS ARE IN INCHES ✓
MATERIAL

52A106685 REV 4