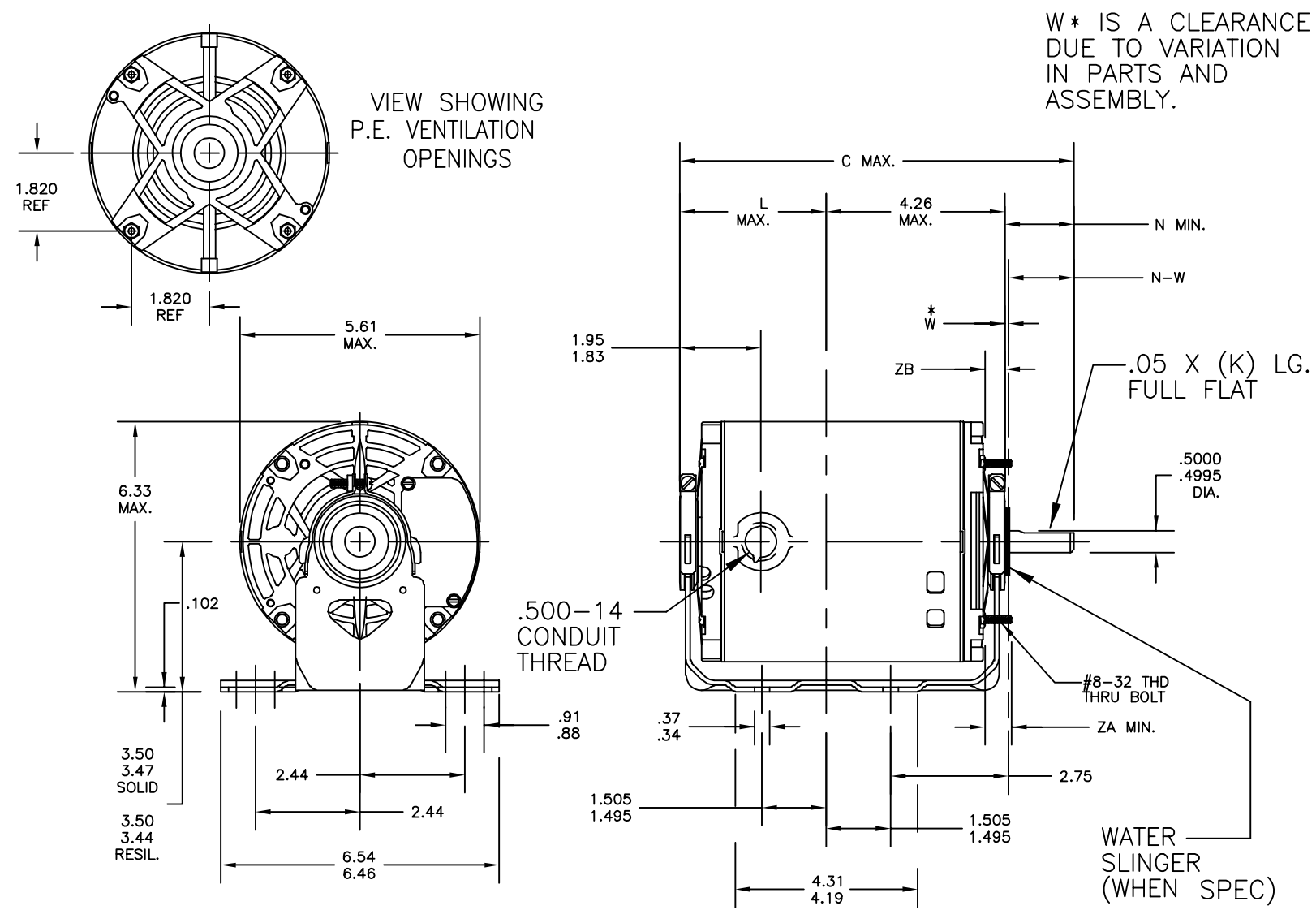


52A106985



| | | | | | | | | | | |
|---|------|----------|---------|-------|------|------|------|-----------|-----|---------|
| 5 | KH | 38 | 56Z | 11.61 | 1.50 | 5.23 | 2.00 | 2.13/1.91 | .62 | .55/.52 |
| 4 | KH | 33 | 56Z | 9.19 | 1.16 | 3.48 | 1.50 | 1.63/1.41 | .15 | .55/.52 |
| 3 | KH | 35 | 56Z | 10.18 | 1.50 | 3.80 | 2.00 | 2.13/1.91 | .62 | .55/.52 |
| 2 | KH | 37 | 56Z | 11.01 | 1.50 | 4.63 | 2.00 | 2.13/1.91 | .62 | .55/.52 |
| 1 | KH | 33 | 56Z | 9.19 | 1.16 | 3.48 | 1.50 | 1.63/1.41 | .62 | .55/.52 |
| P | TYPE | RBC SIZE | NEMA FR | C | K | L | N | N-W | ZA | ZB |

| | | | | | | | | | | |
|--|--------------------------------------|---------------|-----|-----------------------------|--------------------|---|------|--------------------|--|------|
| | | | | TOLERANCES UNLESS SPECIFIED | | REGAL-BELOIT CORPORATION | | DRAWN MAM 10/14/89 | | |
| | | | | DEC. | INCHES | | | CHK | | |
| | | | | .X | ±0.1 | TITLE | | APPD DS 09/03/2014 | | |
| | | | | .XX | ±0.02 | | | SCALE 1=1 | | |
| J | ECS DIMENSIONS ADDED PER ECO-0059212 | JAH 09/3/2014 | DS | .XXX | ±0.005 | OUTLINE FORM N - GENERAL PURPOSE MOTOR -DRIP | | REF | | |
| 8 | CHG. TO RBC FORMAT PER ISO5-1777 | ARC 02/15/06 | ARC | .XXXX | ±0.0005 | | | MAT'L. | | FMF |
| NO. | REVISION | BY & DATE | CHK | ANG | ±1.0 | FINISH | | PREV | | |
| THIS DRAWING IN DESIGN AND DETAIL IS OUR PROPERTY AND MUST NOT BE USED EXCEPT IN CONNECTION WITH OUR WORK ALL RIGHTS OF DESIGN AND INVENTION ARE RESERVED THIS IS AN ELECTRONICALLY GENERATED DOCUMENT - DO NOT SCALE THIS PRINT | | | | RFP | CAD FILE 52A106985 | | SIZE | DRAWING NO. | | REV. |
| | | | | DIST | | | A | 52A106985 | | J |