

SHEET

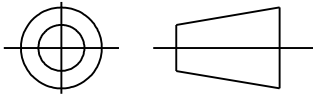
REV

SIZE DRAWING NO.

52A106983 3

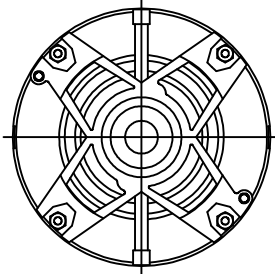
A

THIRD ANGLE PROJECTION

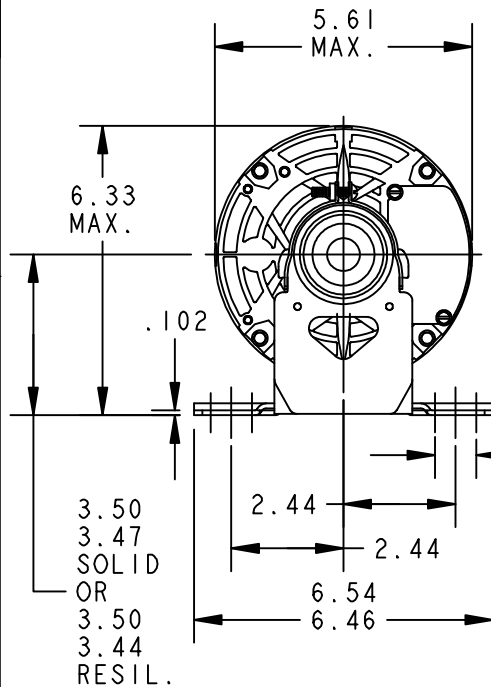


REVISIONS

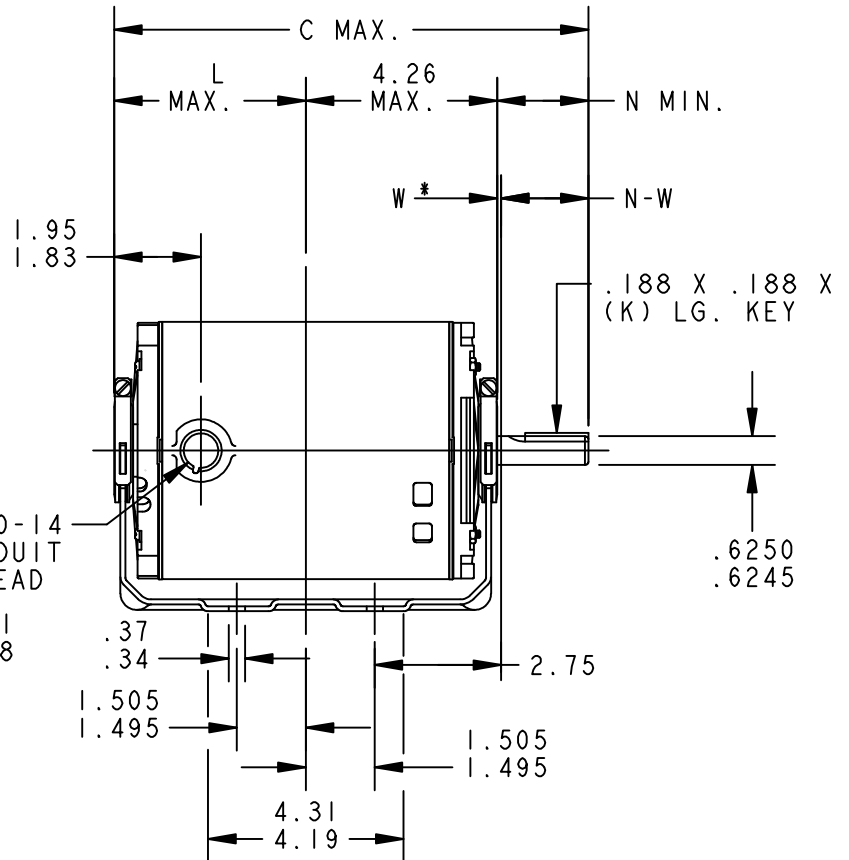
REV.	DESCRIPTION	DATE	APPROVED
1	REDRAWN WITHOUT CHANGE	04/28/92	BLJ
2	REDRAWN BY 2M SOFTWARE CO.	03/05/95	CCP
3	CHG TO RBC FORMAT PER ISO5-1777	02/15/06	SUDHA



VIEW SHOWING
P.E. VENTILATION
OPENINGS




.500-14
CONDUIT
THREAD



W* IS A CLEARANCE
DUE TO VARIATION
IN PARTS AND
ASSEMBLY.

I	KH	36	56	10.32	1.38	4.23	1.88	2.01/1.79
P	TYPE	GE SIZE	NEMA FR	C	K	L	N	N-W

SIGNATURES		DATE	REGAL-BELOIT CORPORATION	
MODEL	M.A.M.	10/09/89	 REGAL-BELOIT CORPORATION TITLE OUTLINE FORM N - GENERAL PURPOSE MOTOR - DRIP PROOF - SOLID OR RESIL. BASE - BALL OR SLEEVE BEARING FMF: 5KH39QN9632	
DETAIL	.	.		
CHECKED	.	.		
ENGRG	.	.		
MFG	.	.	SIZE DRAWING 52A106983 REV 3	
FOR ADDITIONAL INFO REFER TO: APPLIED PRACTICES	QUALITY	.	SCALE: 0.250 REF. No: . SHEET 1 of 1	
DIMENSIONS ARE IN INCHES	ISSUED	C.C.P. 03/05/95		
MATERIAL	SOLID MODEL: 52A106983			