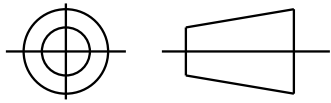


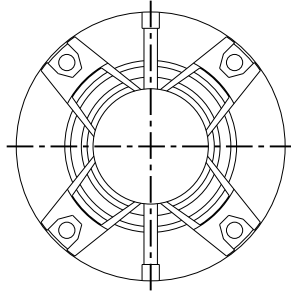
SHEET
REV
8
52A101440
SIZE DRAWING NO.
A

THIRD ANGLE PROJECTION



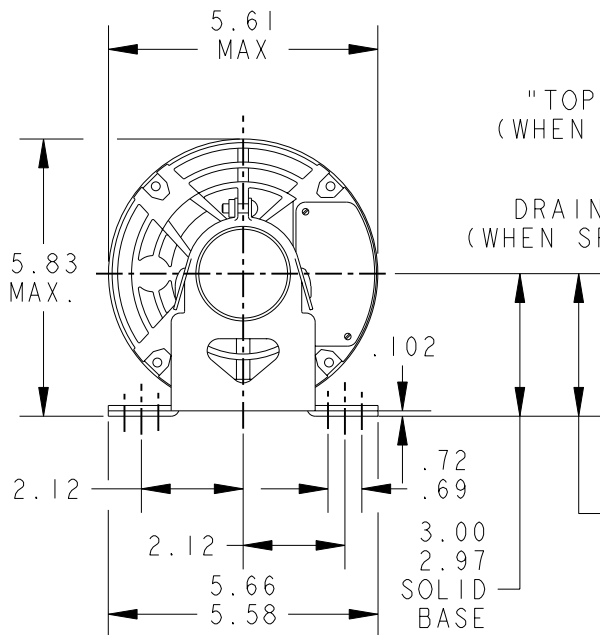
REVISIONS

REV.	DESCRIPTION	DATE	APPROVED
7	REDRAWN NO CHANGE TI96-22390	07/10/96	MDP
8	CHG TO RBC FORMAT PER IS 05-1777	15/12/05	GOVARDAN



VIEW SHOWING PE VENTILATION OPENINGS

.05 X 1.16 LG. FULL FLAT



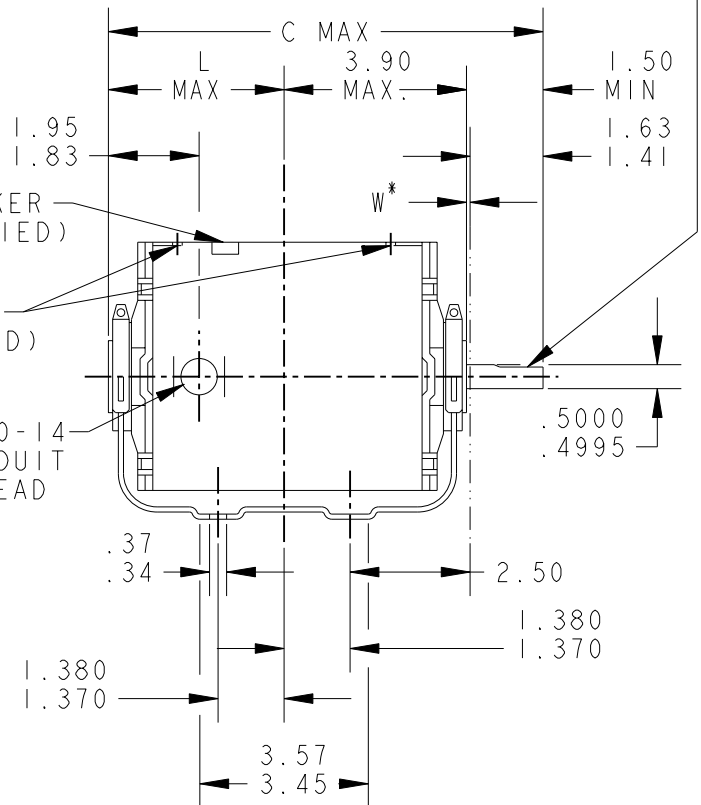
"TOP" STICKER (WHEN SPECIFIED)

DRAIN HOLES (WHEN SPECIFIED)

.500-14 CONDUIT THREAD

3.00
2.94
RESIL
BASE

3.00
2.97
SOLID
BASE



*W IS A CLEARANCE DUE TO VARIATION IN PARTS & ASSEMBLY.

3	KH	33	48	9.19	3.84	6	KH	38	48	11.00	5.65
2	KH	32	48	8.94	3.59	5	KH	37	48	10.40	5.05
1	KH	35	48	9.57	4.22	4	KH	36	48	10.00	4.65
PT	TYPE	GE SIZE	NEMA FR	C	L	PT	TYPE	GE SIZE	NEMA FR	C	L

SIGNATURES	DATE
MODEL GLB	11/14/74
DETAIL .	. .
CHECKED .	. .
ENGRG .	. .
MFG .	. .
QUALITY .	. .
ISSUED MDP	07/10/96
SOLID MODEL: 52A101440	



REGAL-BELOIT CORPORATION

TITLE
OUTLINE
FORM G - GENERAL PURPOSE MOTOR - DRIP PROOF -
SOLID OR RESIL BASE - BALL OR SLEEVE BEARING

FOR ADDITIONAL INFO REFER TO:	APPLIED PRACTICES	DIMENSIONS ARE IN INCHES ✓	MATERIAL
SCALE: 1.000	REF. No: .	SHEET 1 of 1	

SIZE DRAWING
A
52A101440
REV
8