

D

D

C

C

B

B

A

A

4

3

2

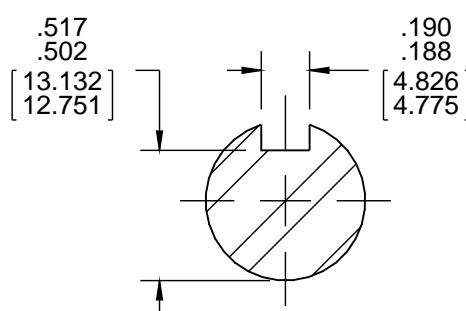
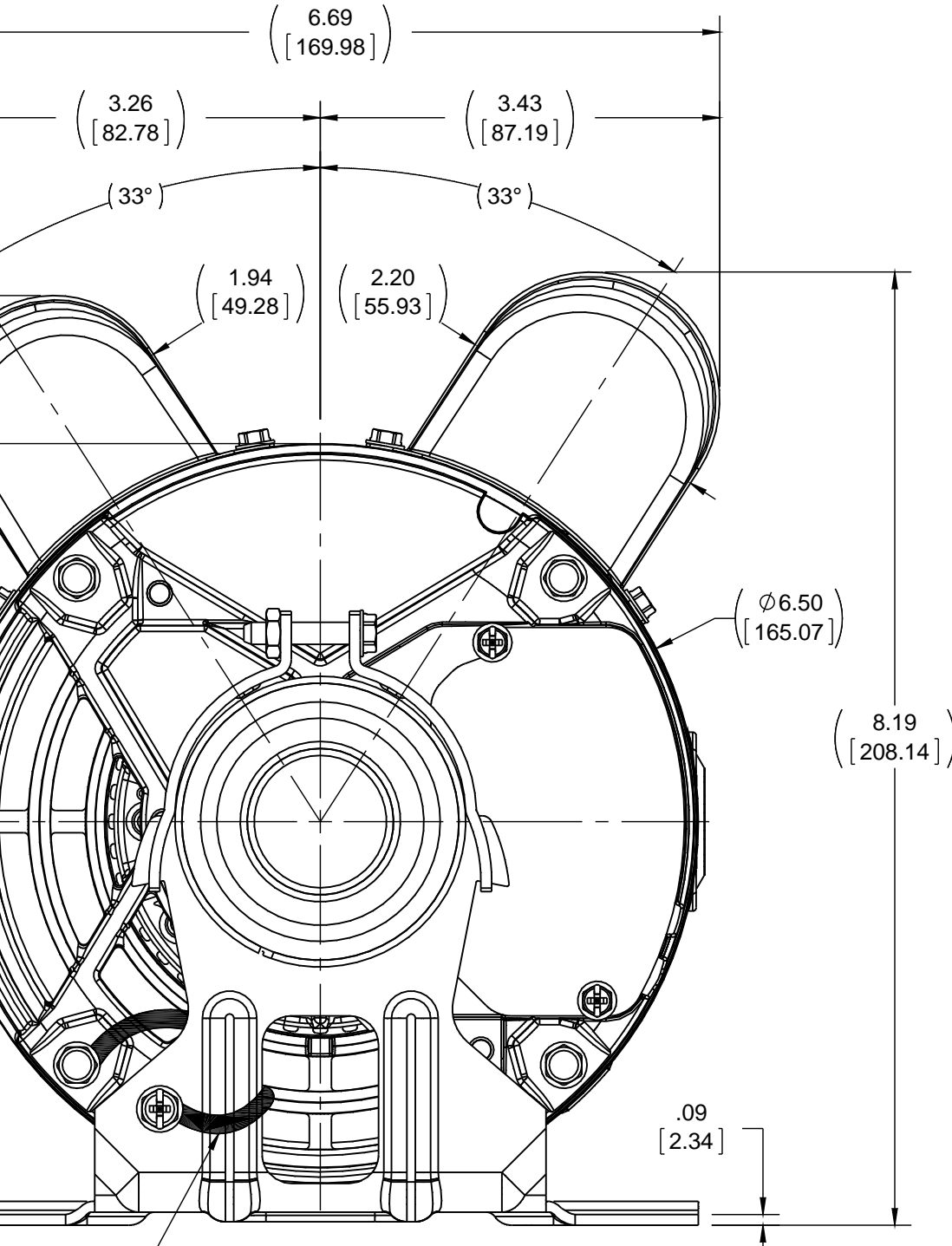
1

4

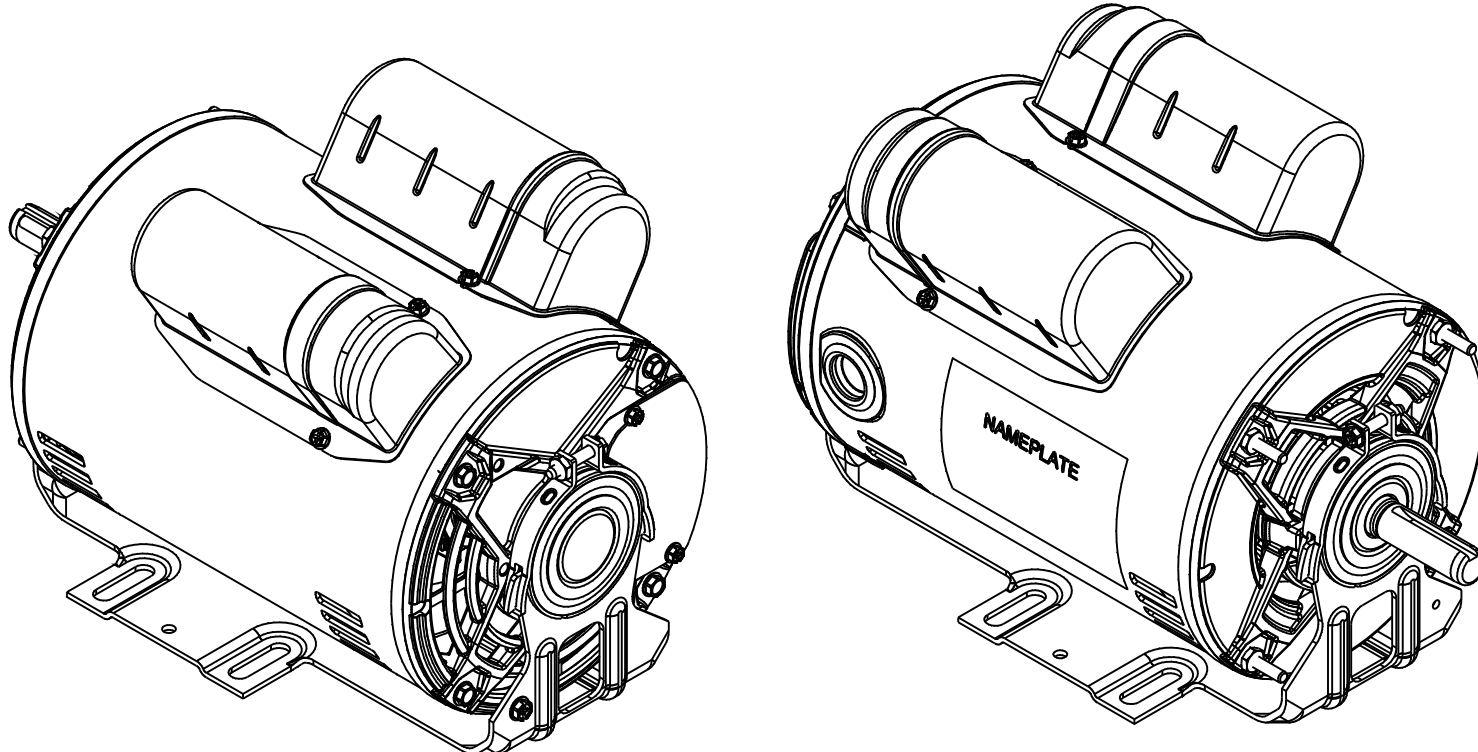
3

2

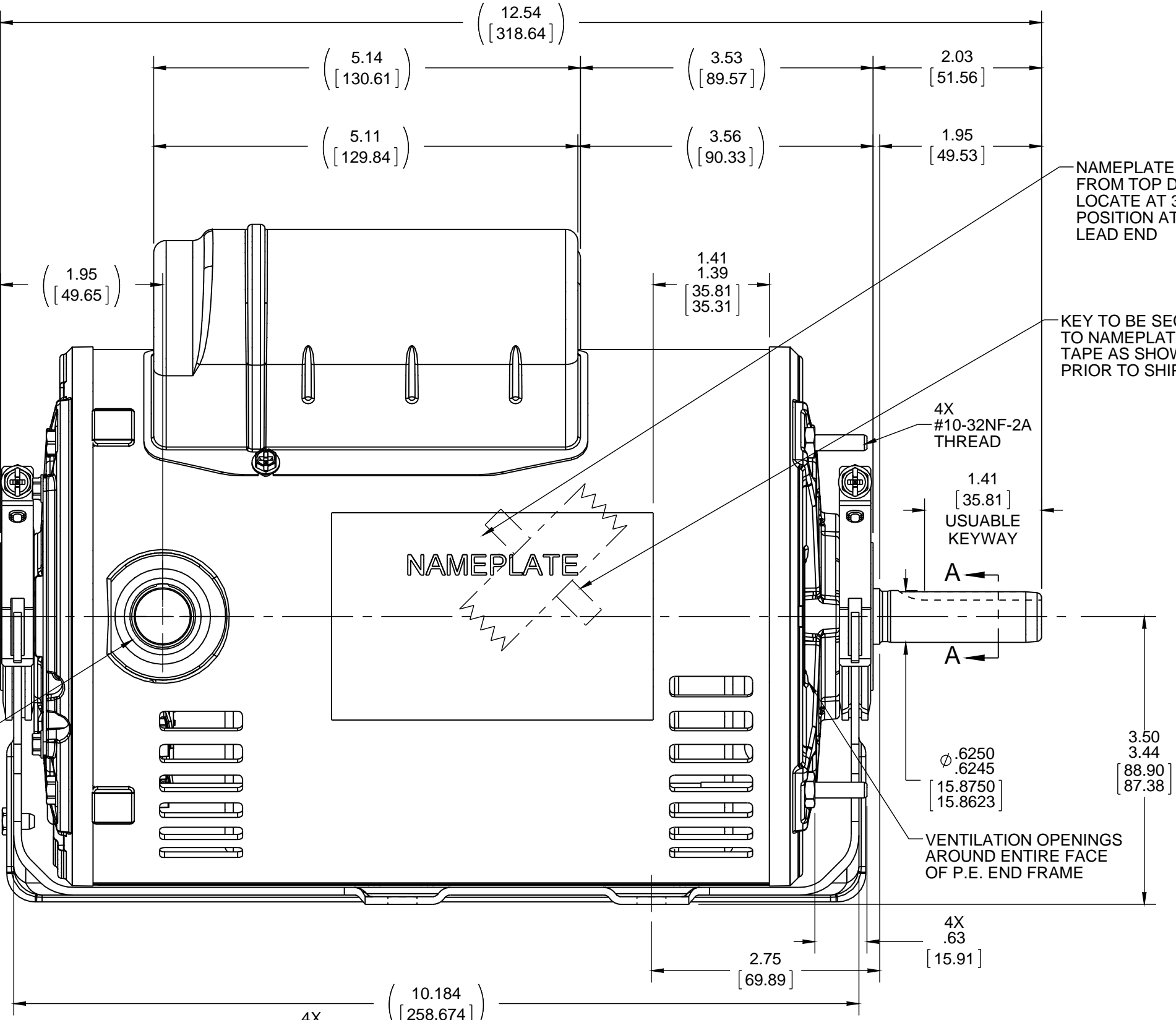
1



SECTION A-A



THREADED HOLE
1/2-14 NPSM
PLUGGED



NAMEPLATE READ FROM TOP DOWN LOCATE AT 3:00 O'CLOCK POSITION AT OPPOSITE LEAD END

KEY TO BE SECURE TO NAMEPLATE WITH TAPE AS SHOWN PRIOR TO SHIPPING

4X #10-32NF-2A THREAD

1.41 [35.81] USUABLE KEYWAY

Ø .6250 [15.8750]
Ø .6245 [15.8623]

VENTILATION OPENINGS AROUND ENTIRE FACE OF P.E. END FRAME

4X .63 [15.91]

DRAWING REVISION B	REVISION BY C. CONTRERAS	DATE 06-30-2016	TOLERANCES UNLESS OTHERWISE SPECIFIED: DEC. INCH mm ANGLE	DRAWN BY D.VALENCIANO	Regal Beloit America, Inc.	
ECO-0104819	APPROVED BY C. CONTRERAS	DATE 06-30-2016	.X ±0.1 [±2.5] .XX ±0.03 [±0.76] .XXX ±0.005 [±0.127] .XXXX ±0.0005 [±0.0127]	DATE 04-18-2016		
ECO DESCRIPTION UPDATE NAMEPLATE LOCATION			REMOVE BURRS & BREAK SHARP EDGES: .003/.015 [0.076/.381] X 45° CORNER FILLETS: R.02 [51] MACHINED SURFACES: 125 INCH/mm 3.2	APPROVED BY J.ORTEGA	DESCRIPTION OUTLINE 56FR, DP, 1-PHASE	
<small>COPYRIGHT REGAL BELOIT AMERICA, INC. ALL RIGHTS RESERVED. PROPRIETARY AND CONFIDENTIAL INFORMATION - THIS DOCUMENT IS THE PROPERTY OF REGAL BELOIT AMERICA, INC. ('OWNER') AND CONTAINS OWNER'S PROPRIETARY INFORMATION. ANY PERSON, CORPORATION OR OTHER FIRM RECEIVING IT IS DEEMED, BY RECEIVING IT, TO AGREE THAT IT, AND/OR ANY PART OF IT, SHALL NOT BE DISCLOSED TO ANY PERSON, CORPORATION OR OTHER ENTITY, DUPLICATED, AND/OR USED, EXCEPT AS EXPRESSLY APPROVED IN WRITING IN ADVANCE BY OWNER. THIS DOCUMENT SHALL BE RETURNED TO OWNER UPON REQUEST. IT MAY BE SUBJECT TO CERTAIN RESTRICTIONS UNDER APPLICABLE EXPORT CONTROL LAWS AND REGULATIONS.</small>			DATE 04-18-2016	MATERIAL	PROCESS/FINISH	
			mm SHOWN IN [BRACKETS]	REFERENCE 5KCR49SN3010	DRAWING NUMBER OL56100061-001	
				THIRD ANGLE PROJECTION	SIZE C	SHEET 1 OF 1