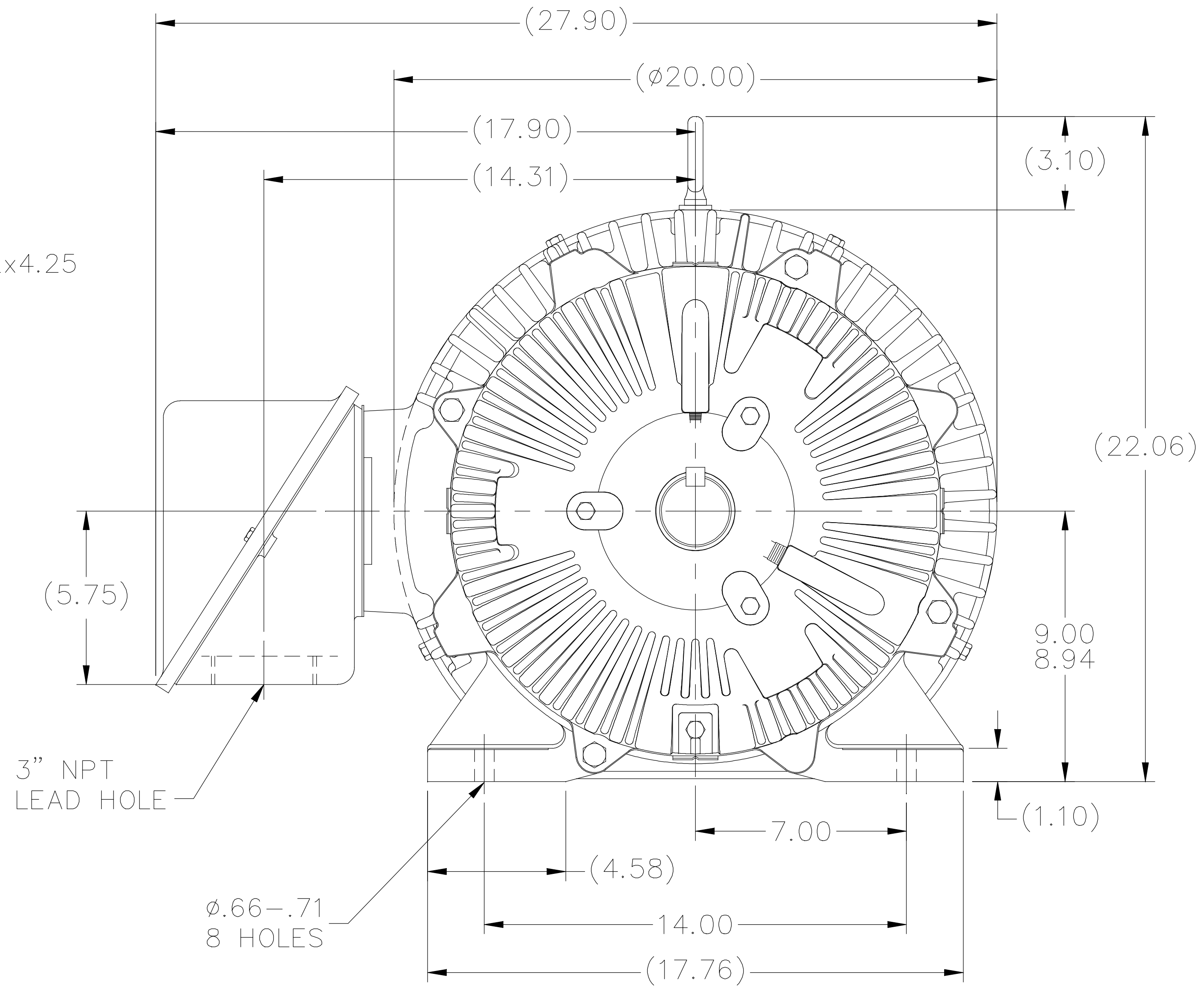


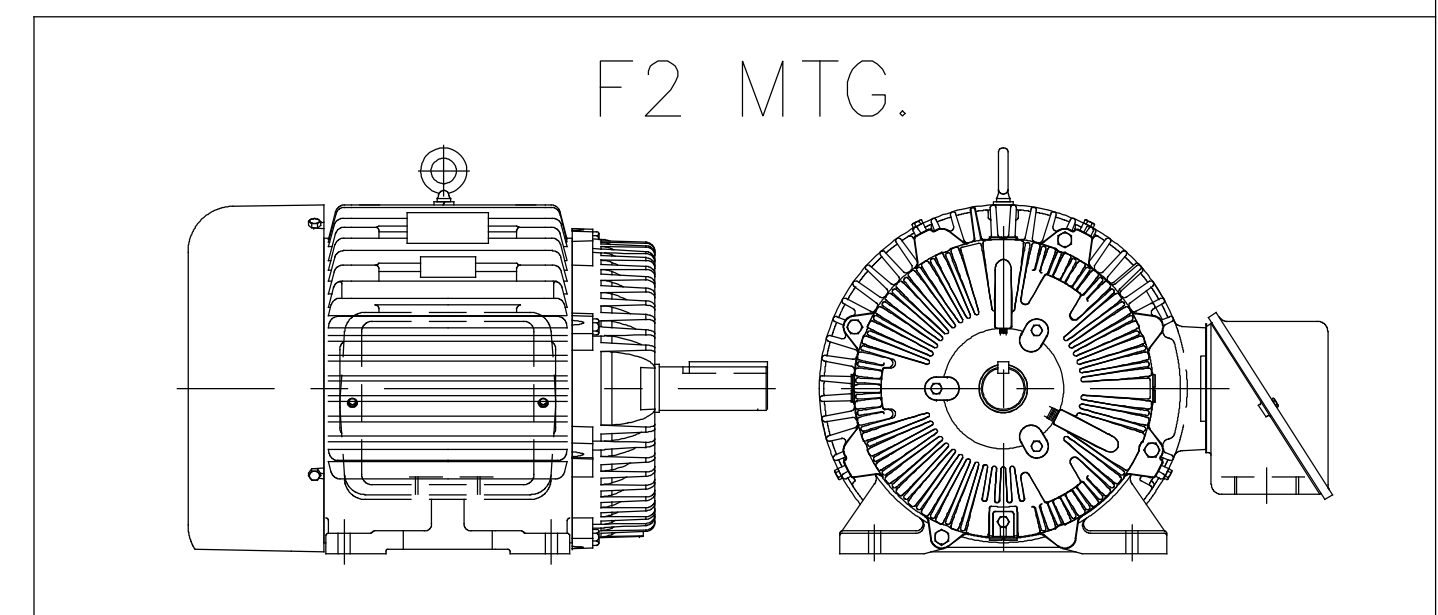
.62x.62x4.25 KEY

ø2.375
2.374



3" NPT LEAD HOLE

ø.66-.71
8 HOLES



- NOTES:
1. CONDUIT BOX CAN BE ROTATED IN 90° STEPS.
 2. CONDUIT BOX CAN BE MOUNTED ON OPPOSITE SIDE BY REMOVING BRACKETS AND TURNING FRAME 180°.
 3. NAMEPLATE TO BE READ FROM CONDUIT BOX SIDE OF MOTOR

DASH	FRAME	B	C	2F	BS
1350	364T	13.25	31.50	11.25	5.62
1450	365T	14.25	32.50	12.25	6.12

		TOLERANCES UNLESS SPECIFIED		MARATHON ELECTRIC		DRAWN DMT 01-23-2001	
		DEC.	INCHES			CHK	JHL 01-23-2001
		.X	±.1			APPD	JES 01-23-2001
3	LIFTING LUGS WERE TWO ,MADE ONE PER ECR-0163616	NK	10-3-2018	AB	.XX	±.03	TITLE OUTLINE - TEFC/CEE
2	REDRAWN IN AUTOCAD	TAT	07-06-2004	ML	.XXX	±.005	360T FR. - TAPPED LEAD HOLE - (STD)
1	NEW DRAWING - DEV. ENG.	CN 30253	DMT 01-23-2001		.XXXX	±.0005	MAT'L.
NO.	REVISION	BY & DATE	CHK	ANG	±7'30"		FINISH
THIS DRAWING IN DESIGN AND DETAIL IS OUR PROPERTY AND MUST NOT BE USED EXCEPT IN CONNECTION WITH OUR WORK ALL RIGHTS OF DESIGN AND INVENTION ARE RESERVED THIS IS AN ELECTRONICALLY GENERATED DOCUMENT - DO NOT SCALE THIS PRINT				RFP	CAD FILE ss518180		SIZE
				DIST	WA	DRAWING NO. PAGE OF REV.	
						B	SS518180 3