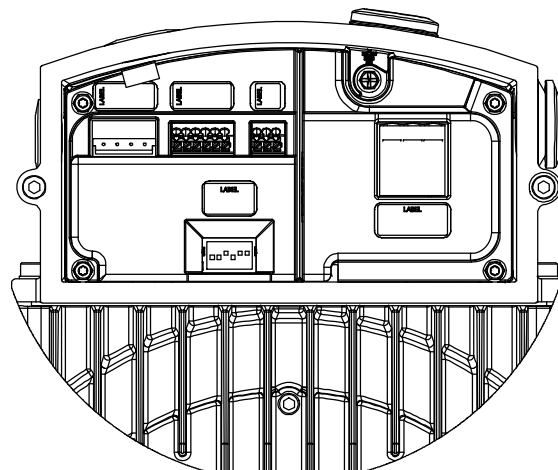
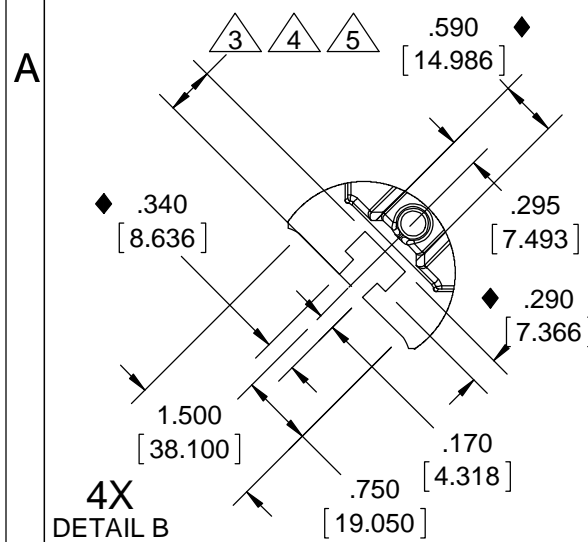
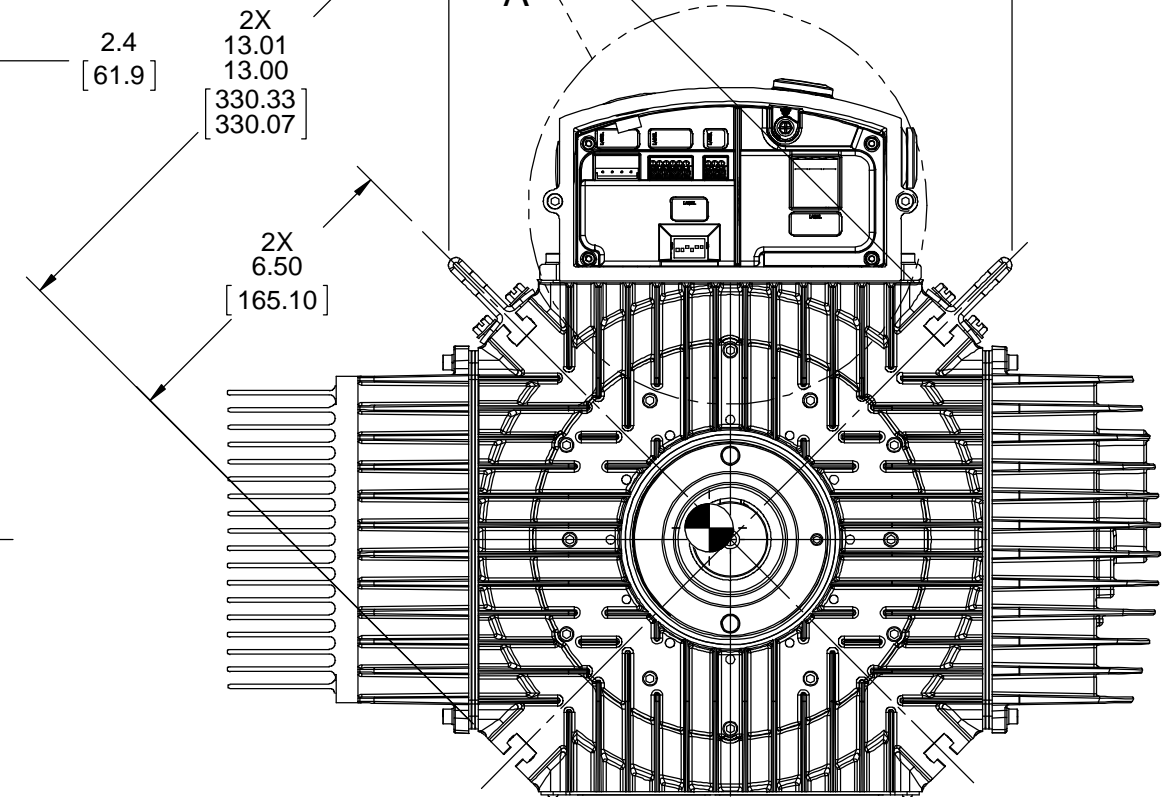
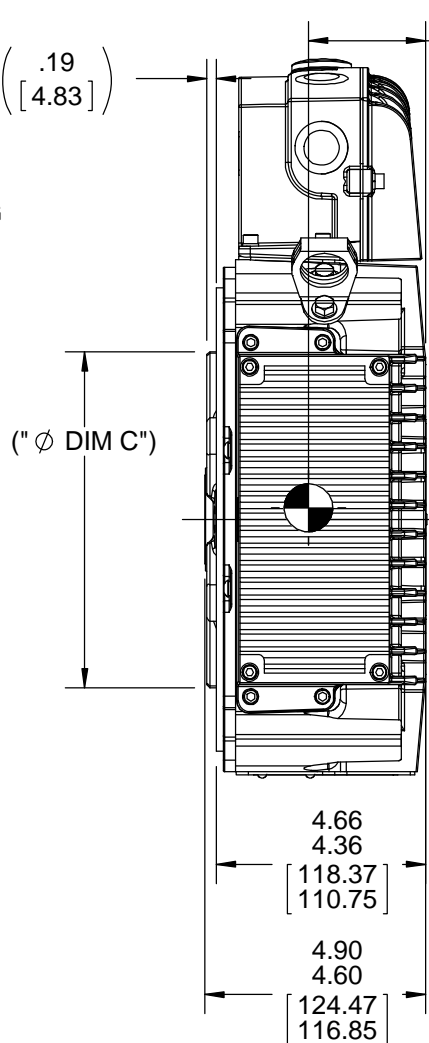
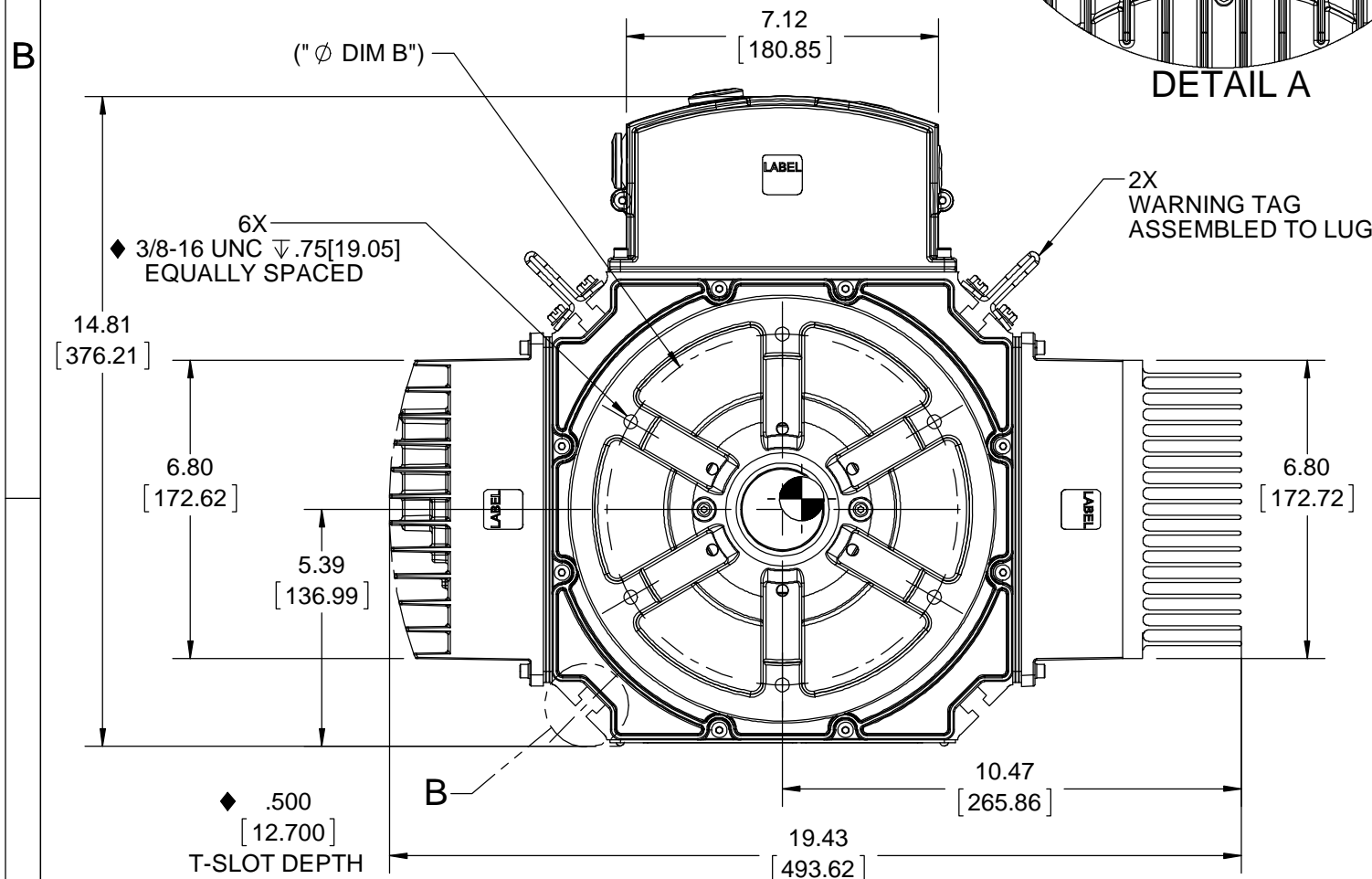
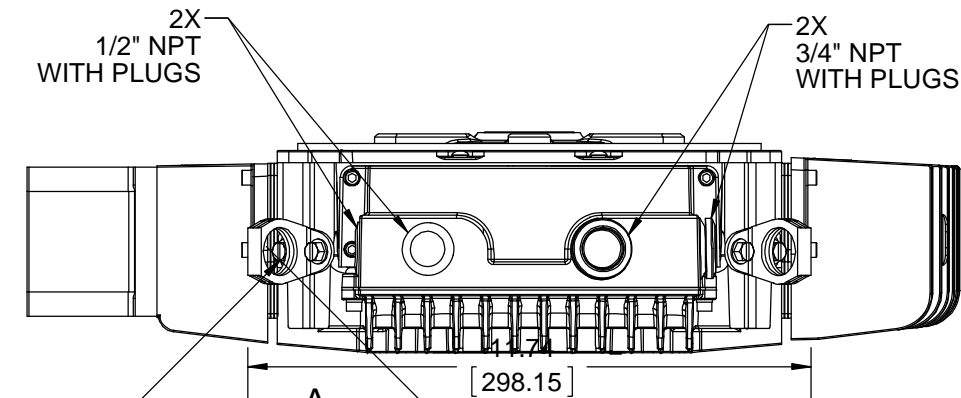


PART NUMBER	("Ø DIM B")	("Ø DIM C")	HP	VOLTS
-001	8.000 [203.20]	7.000/6.997 [177.787/177.711]	3-10	460
-002	5.500 [139.700]	4.501/4.498 [114.325/114.249]		
-003	5.500 [139.700]	4.501/4.498 [114.325/114.249]	3-5	230
-004	8.000 [203.20]	7.000/6.997 [177.787/177.711]		
-005	8.000 [203.20]	7.000/6.997 [177.787/177.711]	3-10	460



DETAIL A



4X  
DETAIL B

NOTES:

- EST. WEIGHT 60 LBS.
- ◆ = CTQ
- USE (8) 1/4-20 BOLTS TO MOUNT MOTOR.
- BOLT LENGTH WILL VARY PER CUSTOMER FRAME THICKNESS. WHEN BOLTS ARE ASSEMBLED TO CUSTOMER FRAME, REMAINING LENGTH SHOULD NOT EXCEED T-SLOT DEPTH.

DRAWING REVISION	REVISION BY	DATE
G	M. GRASTY	08-21-2018
ECO-0151341	S. ENGLISH	08-21-2018

ECO DESCRIPTION  
ADDED T-SLOT REMARKS 3, 4, 5 TO NOTES & DIM .500

COPYRIGHT REGAL BELOIT AMERICA, INC. ALL RIGHTS RESERVED. PROPRIETARY AND CONFIDENTIAL INFORMATION - THIS DOCUMENT IS THE PROPERTY OF REGAL BELOIT AMERICA, INC. ("OWNER") AND CONTAINS OWNER'S PROPRIETARY INFORMATION. ANY PERSON, CORPORATION OR OTHER FIRM RECEIVING IT IS DEEMED, BY RECEIVING IT, TO AGREE THAT IT, AND/OR ANY PART OF IT, SHALL NOT BE DISCLOSED TO ANY PERSON, CORPORATION OR OTHER ENTITY, DUPLICATED, AND/OR USED, EXCEPT AS EXPRESSLY APPROVED IN WRITING IN ADVANCE BY OWNER. THIS DOCUMENT SHALL BE RETURNED TO OWNER UPON REQUEST. IT MAY BE SUBJECT TO CERTAIN RESTRICTIONS UNDER APPLICABLE EXPORT CONTROL LAWS AND REGULATIONS.

TOLERANCES UNLESS OTHERWISE SPECIFIED:

DEC.	INCH	mm	ANGLE
.X	±0.1	[±2.5]	±7° 30"
.XX	±0.03	[±0.76]	
.XXX	±0.005	[±0.127]	
.XXXX	±0.0005	[±0.0127]	

REMOVE BURRS & BREAK SHARP EDGES: .003/.015 [0.076/.381] X 45°  
CORNER FILLETS: R.02 [0.51]  
MACHINED SURFACES: 200 INCH/mm 5.1

mm SHOWN IN [BRACKETS]

DRAWN BY M. GRASTY	DATE 10-18-2017
APPROVED BY S. ENGLISH	DATE 10-18-2017
REFERENCE	THIRD ANGLE PROJECTION

<b>REGAL</b> ™ Regal Beloit America, Inc.	
DESCRIPTION <b>OUTLINE</b> MODEL-IHP-AXIAL, 186XW, VERTICAL SHAFT	
MATERIAL	PROCESS/FINISH
SIZE B	DRAWING NUMBER D0000995
	SHEET 1 OF 1