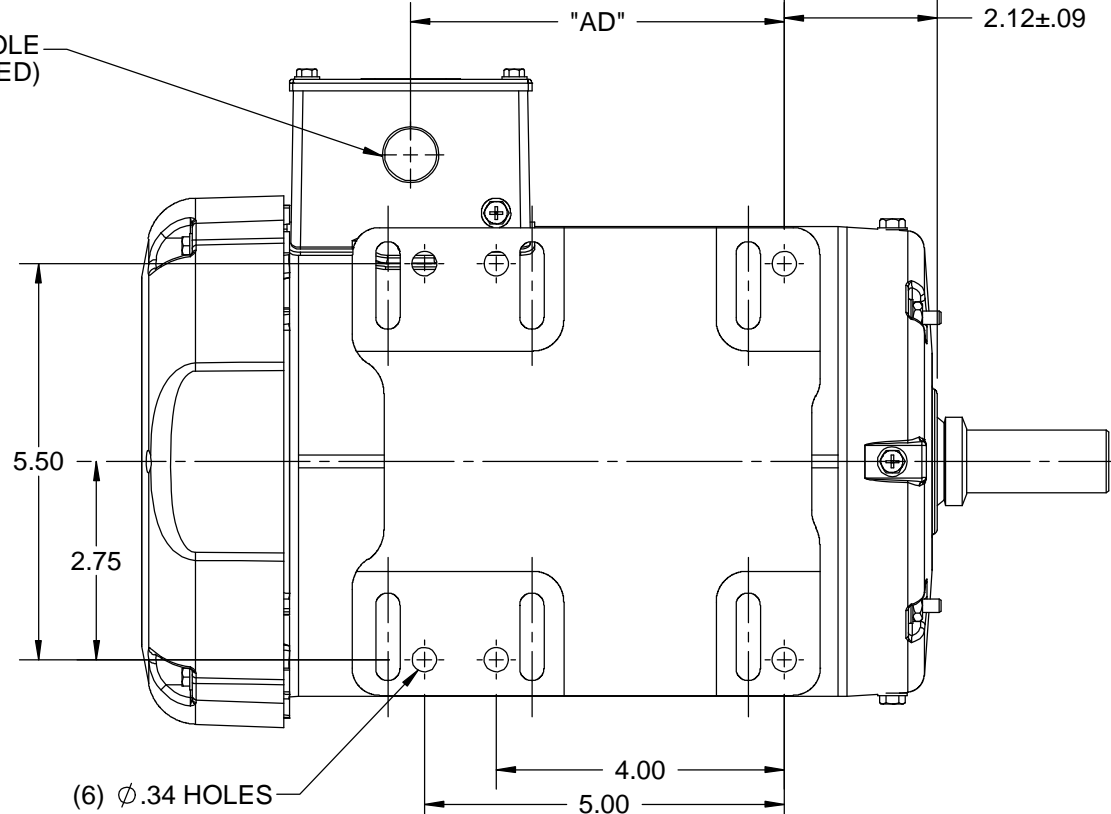
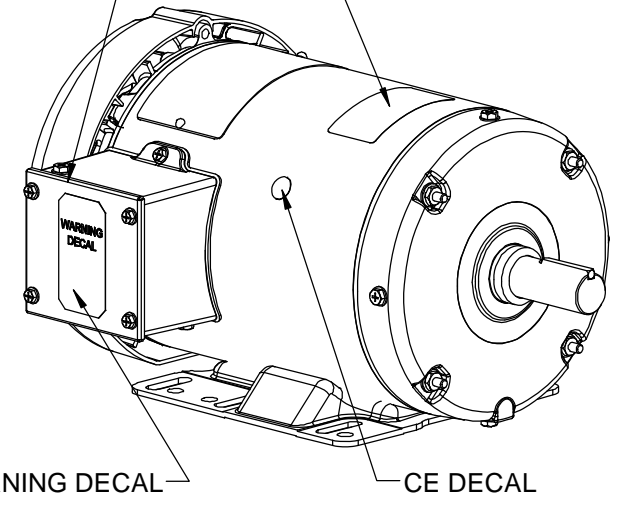


(1) 1/2-14 NPT CONDUIT HOLE (PLUGGED)



CONNECTION DECAL UNDER COVER (WHEN REQUIRED)

DRAIN HOLE DECAL



WARNING DECAL

CE DECAL

- WASHGUARD MOTOR**
- SPECIAL FEATURES:
1. SHAFT SEALS & V-RING.
  2. PLUGGED DRAIN HOLES IN ENDBELLS & CONDUIT BOX.
  3. BUNA-N GASKETS THROUGHOUT.
  4. STAINLESS STEEL SHAFT, HARDWARE & NAMEPLATE.

DASH NO.	"C"	"AD"
675	12.68	4.44
700	12.93	4.69
725	13.18	4.94
750	13.43	5.19
775	13.68	5.44
800	13.93	5.69
825	14.18	5.94
850	14.43	6.19

DRAWING REVISION C	REVISION BY ARV	DATE 4/5/18	TOLERANCES UNLESS OTHERWISE SPECIFIED: DEC. INCH mm ANGLE .X ±0.1 [±2.5] ±7° 30" .XX ±0.03 [±0.76] .XXX ±0.005 [±0.127] .XXXX ±0.0005 [±0.0127]	DRAWN BY JD	<b>REGAL</b> ™ Regal Beloit America, Inc.
ECO ECO-0142776	APPROVED BY SK	DATE 4/5/18	REMOVE BURRS & BREAK SHARP EDGES: .003/.015 [.076/.381] X 45° CORNER FILLETS: R.02 [.51] MACHINED SURFACES: 200 INCH/mm 5.1	DATE 04/20/2011	
ECO DESCRIPTION <b>ADDED WARNING DECAL</b> COPYRIGHT REGAL BELOIT AMERICA, INC. ALL RIGHTS RESERVED. PROPRIETARY AND CONFIDENTIAL INFORMATION - THIS DOCUMENT IS THE PROPERTY OF REGAL BELOIT AMERICA, INC. ("OWNER") AND CONTAINS OWNER'S PROPRIETARY INFORMATION. ANY PERSON, CORPORATION OR OTHER FIRM RECEIVING IT IS DEEMED, BY RECEIVING IT, TO AGREE THAT IT, AND/OR ANY PART OF IT, SHALL NOT BE DISCLOSED TO ANY PERSON, CORPORATION OR OTHER ENTITY, DUPLICATED, AND/OR USED, EXCEPT AS EXPRESSLY APPROVED IN WRITING IN ADVANCE BY OWNER. THIS DOCUMENT SHALL BE RETURNED TO OWNER UPON REQUEST. IT MAY BE SUBJECT TO CERTAIN RESTRICTIONS UNDER APPLICABLE EXPORT CONTROL LAWS AND REGULATIONS.				APPROVED BY	DESCRIPTION <b>OUTLINE</b> TEFC - RIGID
				DATE	MATERIAL WASHGUARD
				REFERENCE	PROCESS/FINISH
				THIRD ANGLE PROJECTION	SIZE B
					DRAWING NUMBER <b>029022</b>
					SHEET 1 OF 1