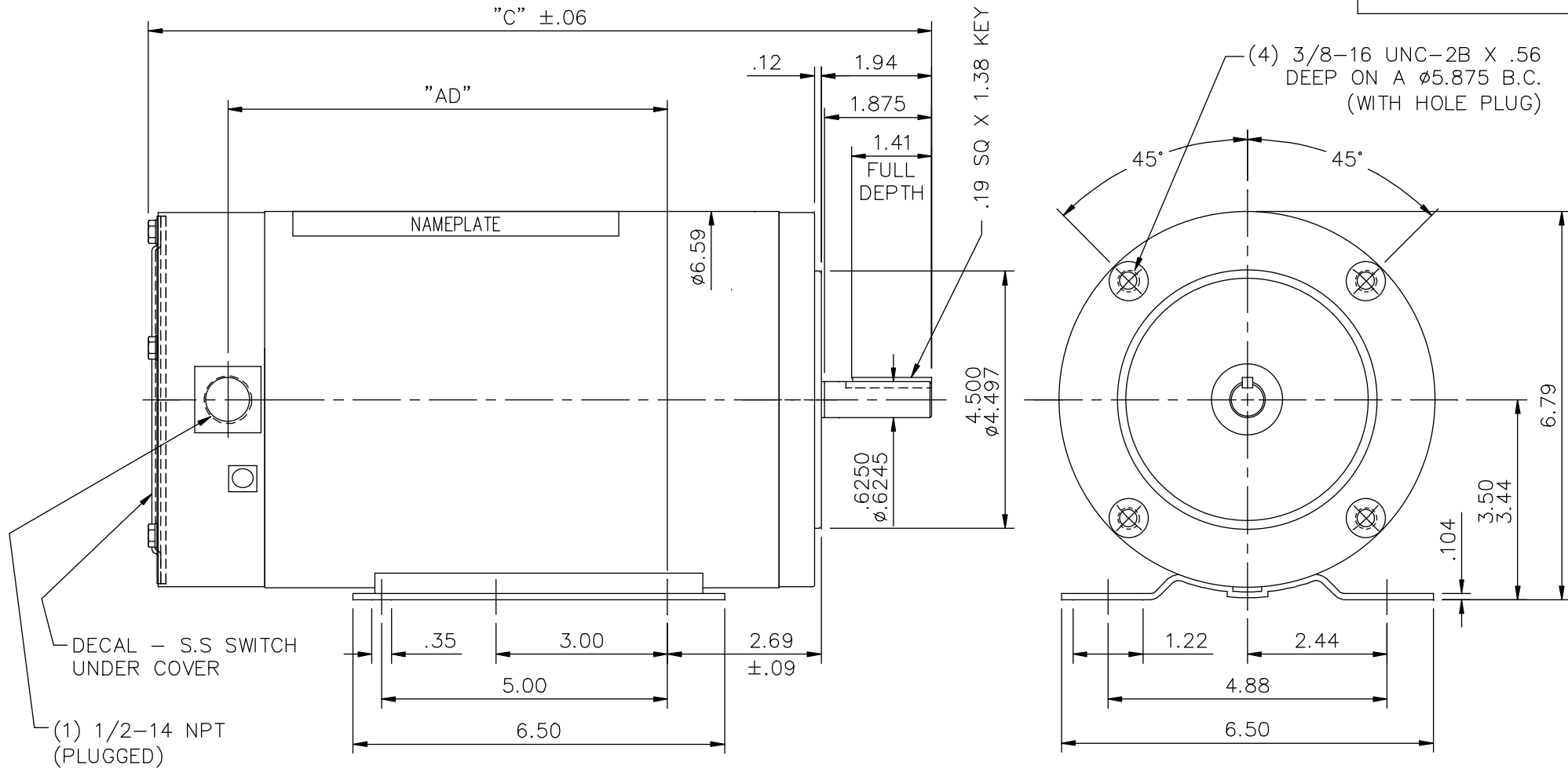


034991ME



SPECIAL FEATURES:
 VITON CONDUIT BOX & COVER GASKETS
 VITON O-RINGS IN ENDBELL RABBETS
 VITON SHAFT SEAL
 BREATHER PLUGS IN L.E. ENDBELL (B.I.C.B.)
 ALL STAINLESS STEEL CONSTRUCTION

DASH NO.	"C"	"AD"
750	12.20	6.19
800	12.70	6.69
850	13.20	7.19
900	13.70	7.69

MAXIMUM FACE RUNOUT TO BE .004 T.I.R.
 MAXIMUM PILOT ECCENTRICITY .004 T.I.R.
 PERMISSIBLE SHAFT RUNOUT .002 T.I.R.

NO.		REVISION		BY & DATE		TOLERANCES UNLESS SPECIFIED			DRAWN PVR 09/02/13			
						DEC.	INCHES		CHK JD 09/02/13			
						.X	±.1		APPD			
						.XX	±.03		SCALE 3=8			
						.XXX	±.005		REF 034991			
						.XXXX	±.0005	FMF 056C17V5303				
						ANG	±1/2'	PREV				
THIS DRAWING IN DESIGN AND DETAIL IS OUR PROPERTY AND MUST NOT BE USED EXCEPT IN CONNECTION WITH OUR WORK ALL RIGHTS OF DESIGN AND INVENTION ARE RESERVED THIS IS AN ELECTRONICALLY GENERATED DOCUMENT - DO NOT SCALE THIS PRINT						RFP		CAD FILE	034991ME	SIZE A	DRAWING NO. 034991ME	REV.
						DIST						