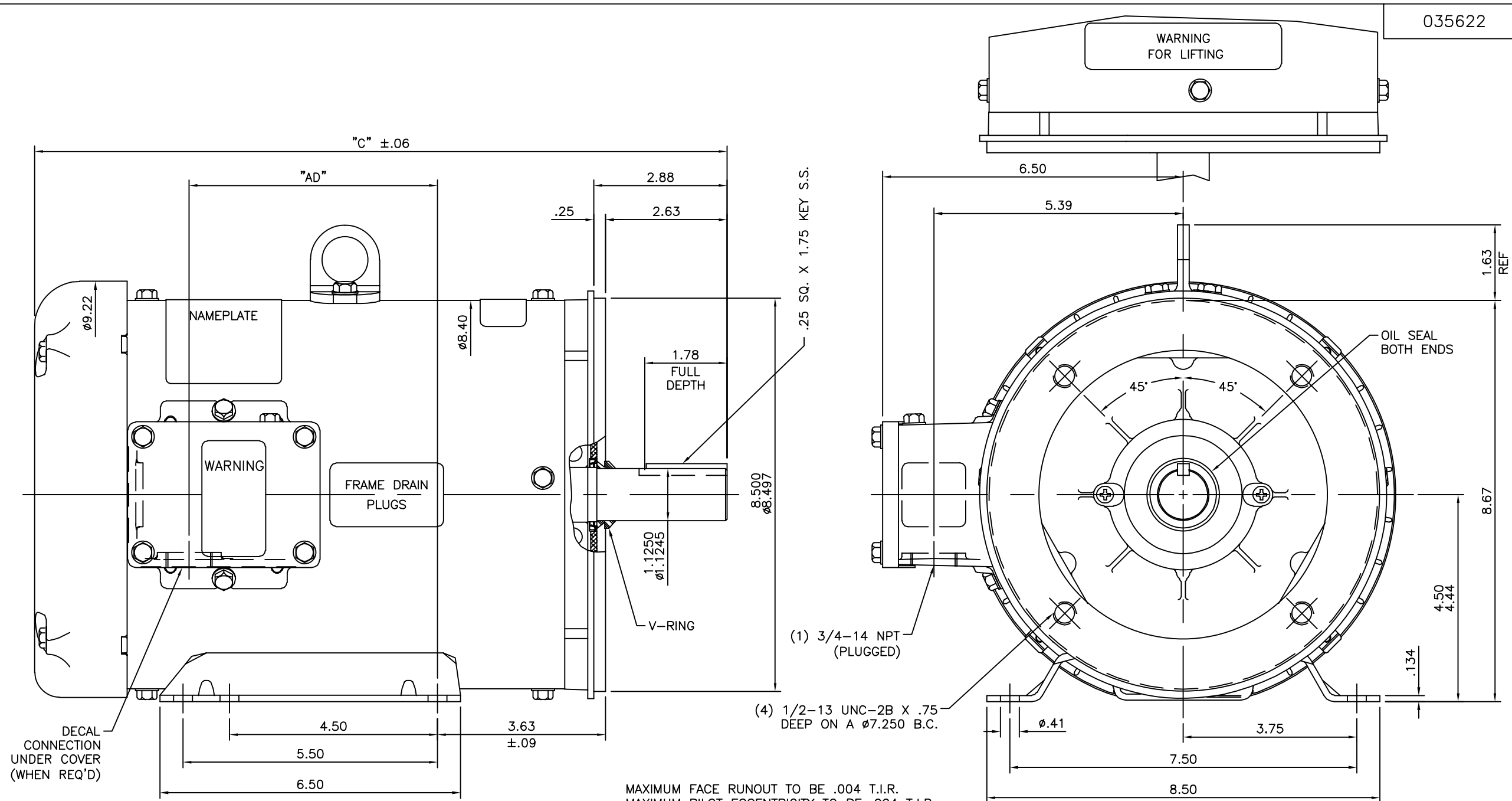


035622



SPECIAL FEATURES:

- 1) SHAFT SEALS & V-RING
- 2) DRAIN HOLES IN FRAME & CONDUIT BOX
- 3) STAINLESS STEEL SHAFT, HARDWARE & NAMEPLATE
- 4) GASKETS THROUGHOUT

DASH NO.	"C"	"AD"
850	13.97	4.37
900	14.47	4.87
950	14.97	5.37
1000	15.47	5.87
1050	15.97	6.37
1100	16.47	6.87
1150	16.97	7.37

		TOLERANCES UNLESS SPECIFIED		MARATHON ELECTRIC	DRAWN YS 01/29/08		
DEC.	INCHES	DEC.	INCHES		CHK	APPD	
		.X	\pm .1	TITLE OUTLINE - 180TC FRAME TEFC - RIGID "C"	SCALE	1=2	
F	ITEM #850 ADDED IN TABLE	.XX	\pm .03		REF		
E	WARNING DECAL ADDED PER ECO-0045263	.XXX	\pm .005	MAT'L.	FMF		
NO.	REVISION	CHK	ANG	FINISH	PREV		
THIS DRAWING IN DESIGN AND DETAIL IS OUR PROPERTY AND MUST NOT BE USED EXCEPT IN CONNECTION WITH OUR WORK ALL RIGHTS OF DESIGN AND INVENTION ARE RESERVED THIS IS AN ELECTRONICALLY GENERATED DOCUMENT - DO NOT SCALE THIS PRINT		RFP		CAD FILE	035622	SIZE	DRAWING NO.
		DIST				B	035622
							REV.
							F