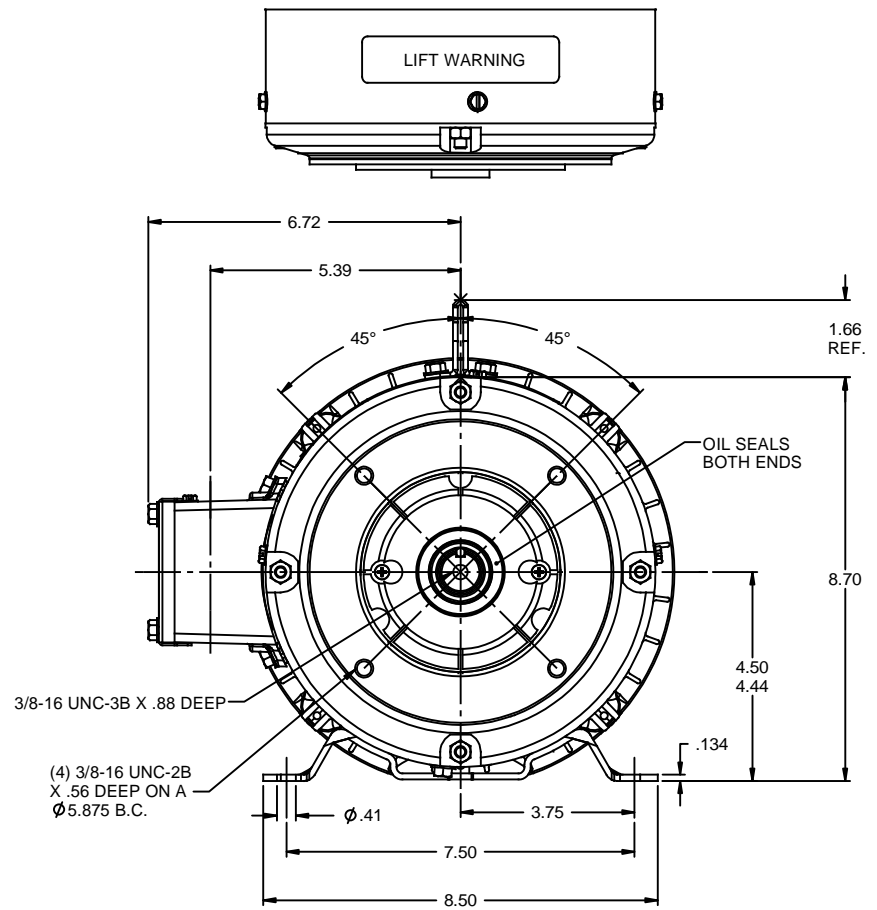


SHAFT DETAIL

DASH NO.	"C"	"AD"
900	16.13	4.87
950	16.63	5.37
1000	17.13	5.87
1050	17.63	6.37
1100	18.13	6.87
1150	18.63	7.37



SPECIAL FEATURES:
 SHAFT SEAL & V-RING
 DRAIN HOLES IN FRAME & CONDUIT BOX
 STAINLESS STEEL SHAFT, HARDWARE & NAMEPLATE
 GASKETS THROUGHOUT

MAXIMUM FACE RUNOUT TO BE .004 T.I.R.
 MAXIMUM PILOT ECCENTRICITY TO BE .004 T.I.R.
 PERMISSIBLE SHAFT RUNOUT TO BE .002 T.I.R.

REVISION		BY & DATE	CHK	ANG	±1/2"	FINISH	DRAWING NO		REV	
02	UPDATED PER ISAAC 10-0580	LST 5/12/2010	XX	XXX	±.005	TITLE OUTLINE - 180JM FRAME	DRAWN LST 7/23/03		CHK	
-	UPDATED & REDRAWN IN SOLIDWORKS	LST 12/8/2009	XX	XXXX	±.0005	TEFC - "JM" PUMP MOUNT	APPR RW 7/29/03		SCALE 3:8	
						MATL WASHGUARD	REF 035357		FMF	
							PAGE OF			
THIRD ANGLE PROJECTION						RFP	PREV	SIZE B	DRAWING NO 035480	REV 02
						NETWORK FILE NAME	035480			