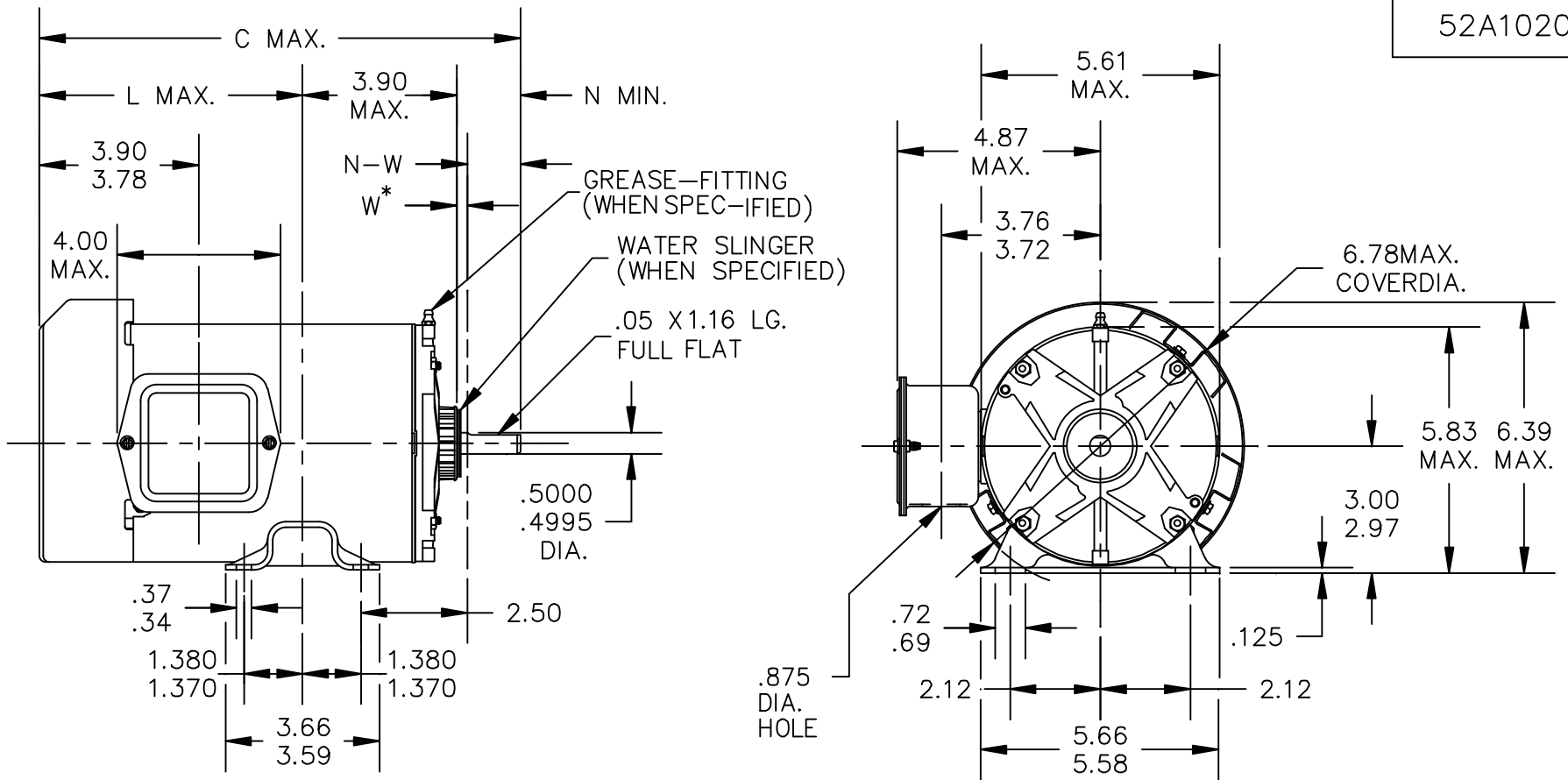


52A102041



W* IS A CLEARANCE DUE TO VARIATION IN PARTS AND ASSEMBLY

5	K KH	37	48	11.38	6.00	1.50	1.63/1.41											
4	K KH	36	48	10.98	5.60	1.50	1.63/1.41											
3	K KH	35	48	10.55	5.17	1.50	1.63/1.41		8	K KH	39	48	9.67	4.29	1.50	1.63/1.41	4.91	
2	K KH	33	48	10.17	4.79	1.50	1.63/1.41		7	K KH	32	48Z	10.92	4.54	2.50	2.63/2.41		
1	K KH	32	48	9.92	4.54	1.50	1.63/1.41		6	K KH	38	48	11.98	6.60	1.50	1.63/1.41		
P	TYPE	RBC SIZE	NEMA FR.	C	L	N	N-W	SHELL LGTH.	P	TYPE	RBC SIZE	NEMA FR.	C	L	N	N-W	SHELL LGTH.	

		TOLERANCES UNLESS SPECIFIED		DRAWN F.P.K 12/13/76	
		DEC.	INCHES	CHK	
		.X	±0.1	APPD M.D.P 05/24/96	
		.XX	±0.02	SCALE 1=1	
12	REDRAWN IN DRAFTSIGHT -NO CHANGES	UD 09/08/12	.XXX	±0.005	REF
11	PER ISAAC 05-2096	RK 09/05/05	.XXXX	±0.0005	FMF
NO.	REVISION	BY & DATE	CHK	ANG ±1.0	PREV
THIS DRAWING IN DESIGN AND DETAIL IS OUR PROPERTY AND MUST NOT BE USED EXCEPT IN CONNECTION WITH OUR WORK ALL RIGHTS OF DESIGN AND INVENTION ARE RESERVED THIS IS AN ELECTRONICALLY GENERATED DOCUMENT - DO NOT SCALE THIS PRINT		RFP	CAD FILE	52A102041	SIZE A
		DIST	DRAWING NO. 52A102041		REV. 12



TITLE: OUTLINE
TOTALLY ENCLOSED OUTBOARD FAN-WELDED BASE