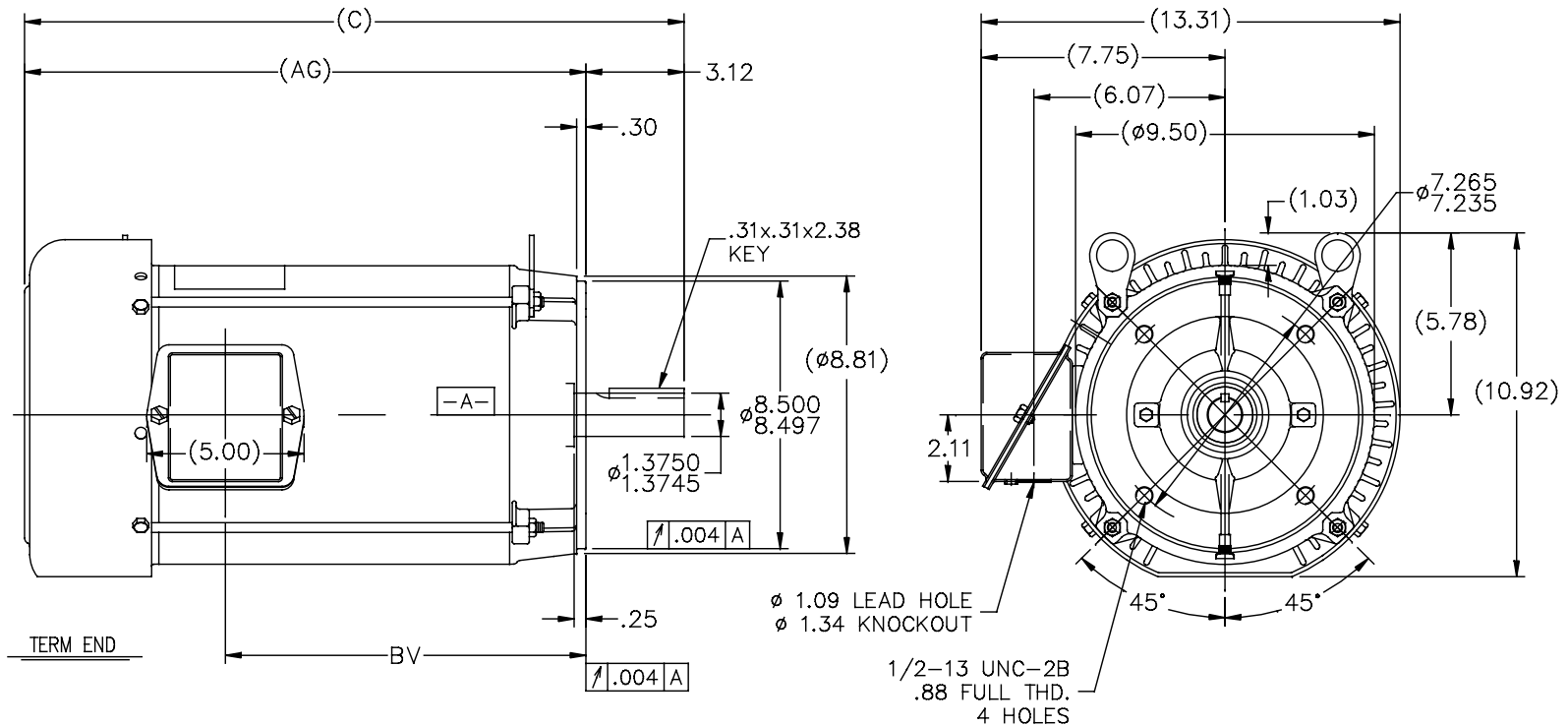


SS86634



DASH	FR.	C	AG	BV	MOUNTING
965	213T	19.46	16.34	9.96	
1115	213/15T	20.96	17.84	11.46	
1240	213/15T	22.21	19.09	12.71	

NOTES:  
 1. NAMEPLATE TO BE READ FROM C'BOX SIDE OF MOTOR.  
 2. BOX CAN BE MOUNTED IN 90° STEPS.

6	UPDATED TO REGAL LOGO	SAJ 07/21/15	AJA	TOLERANCES UNLESS SPECIFIED	<b>Regal Beloit America, Inc.</b>	DRAWN DRS 10-02-1996	
5	REDRAWN IN AUTOCAD	TAT 06-29-2004	ML	DEC. INCHES		CHK ML 10-03-1996	
4	UPDATED C' BOX GEOMETRY CN 28425	DRS 01-31-2000	.X	±.1		APPD DN 10-04-1996	
3	REMOVED GROUND SCREW FROM FRAME CN 24453	DRS 10-01-1997	.XX	±.03	TITLE OUTLINE	SCALE 1=5	
2	REMOVED NOTE: BOX CAN BE MOUNTED ON OPPOSITE SIDE OF MOTOR CN 23925-459	MJD 09-02-1997	.XXX	±.005	210T FR. -BB -TS -TEFC -R/S -C' FACE	REF	
			.XXXX	±.0005	MAT'L.	FMF	
NO.	REVISION	BY & DATE	CHK	ANG	±7'30"	FINISH	PREV

THIS DRAWING IN DESIGN AND DETAIL IS OUR PROPERTY AND MUST NOT BE USED EXCEPT IN CONNECTION WITH OUR WORK ALL RIGHTS OF DESIGN AND INVENTION ARE RESERVED THIS IS AN ELECTRONICALLY GENERATED DOCUMENT - DO NOT SCALE THIS PRINT			RFP	CAD FILE ss86634	SIZE A	DRAWING NO. SS86634	PAGE OF	REV. 6
			DIST LB					