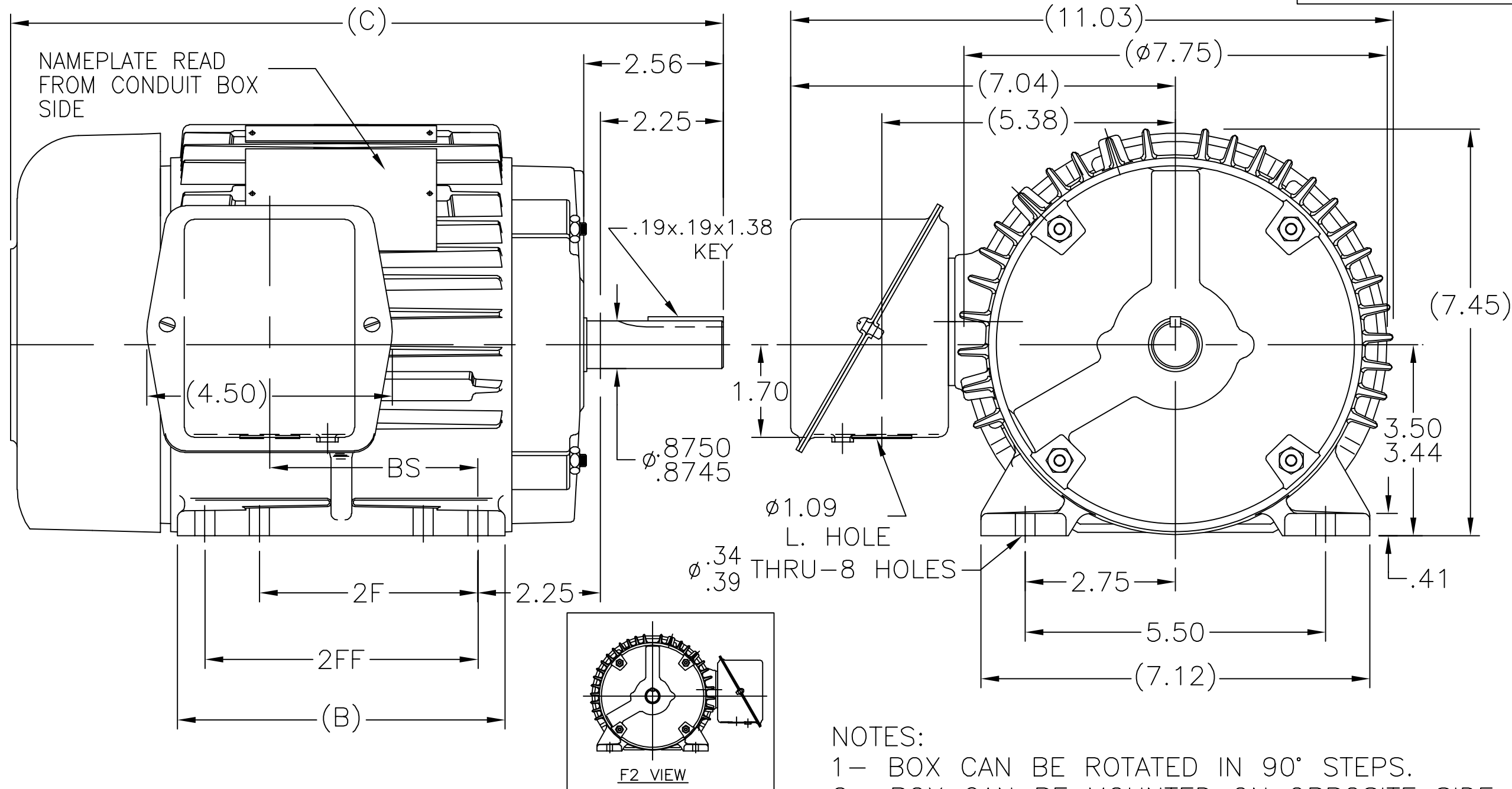


107827



NOTES:

- 1- BOX CAN BE ROTATED IN 90° STEPS.
- 2- BOX CAN BE MOUNTED ON OPPOSITE SIDE BY REMOVING BRACKETS AND TURNING FRAME 180°.

DASH	B	C	BS	2F	2FF
625	6.00	13.04	3.81	4.00	5.00

		TOLERANCES UNLESS SPECIFIED				DRAWN RFH 01/31/2012				
		DEC.	INCHES			CHK WGJ 02/07/2012				
		.X	±.1	TITLE OUTLINE 140T FR. - BB - TS - TEFC		APPD EH 02/07/2012				
		.XX	±.03			SCALE 3=8				
		.XXX	±.005			REF				
01	ADDED F2 VIEW	PST	10/17/14	SM	.XXXX	±.0005	FMF ISAAC 11-4672			
NO.	REVISION	BY & DATE	CHK	ANG	±7'30"	FINISH	PREV			
THIS DRAWING IN DESIGN AND DETAIL IS OUR PROPERTY AND MUST NOT BE USED EXCEPT IN CONNECTION WITH OUR WORK ALL RIGHTS OF DESIGN AND INVENTION ARE RESERVED THIS IS AN ELECTRONICALLY GENERATED DOCUMENT - DO NOT SCALE THIS PRINT				RFP	CAD FILE 107827		SIZE A	DRAWING NO. 107827	PAGE OF	REV. 01
				DIST WP						