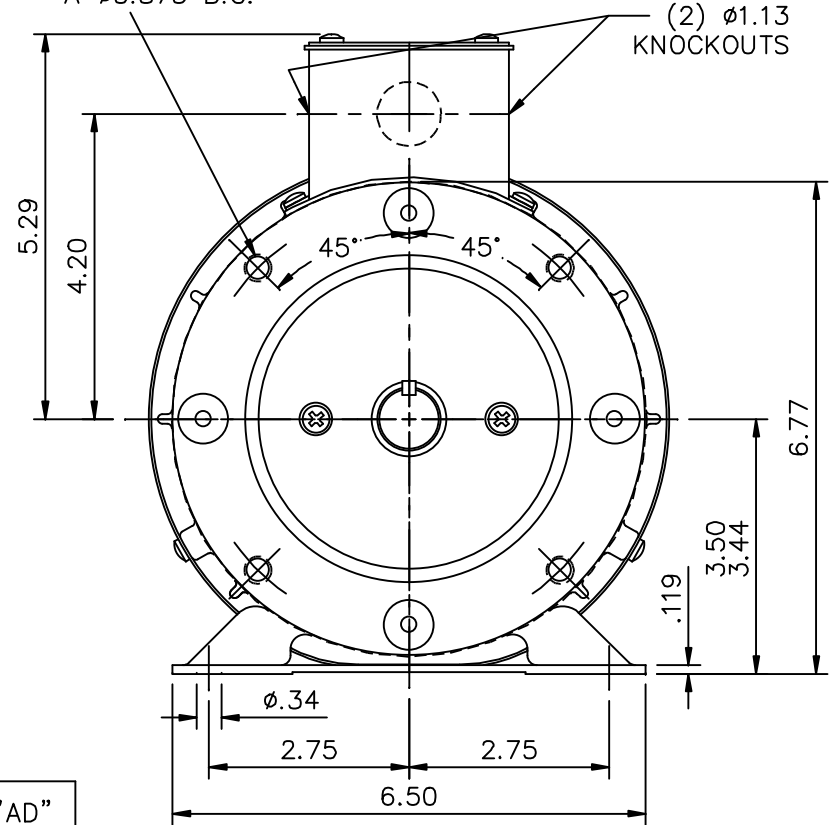


(4) 3/8-16 UNC-2B
X .56 DEEP ON
A φ5.875 B.C.



DASH NO.	"C"	"AD"
650	12.75	4.25
700	13.25	4.75
750	13.75	5.25
800	14.25	5.75

GASKETS THROUGHOUT
MAXIMUM FACE RUNOUT .004 T.I.R.
MAXIMUM PILOT ECCENTRICITY .004 T.I.R.
PERMISSIBLE SHAFT RUNOUT .002 T.I.R.

			TOLERANCES UNLESS SPECIFIED		MARATHON ELECTRIC	DRAWN LST 7/1/04		
			DEC.	INCHES		CHK RW 7/1/04		
			.X	±.1	TITLE OUTLINE- 143/145TC FRAME TEFC- RIGID "C"	APPD KH 7/1/04	SCALE 3=8	
			.XX	±.03		REF		
02	ADDED CE DECAL; ECR 89629	KLS 4/13/06	.XXX	±.005		MAT'L. GENERAL PURPOSE	FMF	
01	REMOVED WATSAVER DECAL	RLW 7/21/04	.XXXX	±.0005		FINISH	PREV	
NO.	REVISION	BY & DATE	CHK	ANG	±1/2'			
			RFP			CAD FILE 028605	SIZE A	
			DIST			DRAWING NO. 028605	REV. 02	

THIS DRAWING IN DESIGN AND DETAIL IS OUR PROPERTY AND MUST NOT BE USED EXCEPT IN CONNECTION WITH OUR WORK ALL RIGHTS OF DESIGN AND INVENTION ARE RESERVED THIS IS AN ELECTRONICALLY GENERATED DOCUMENT - DO NOT SCALE THIS PRINT