

4

3

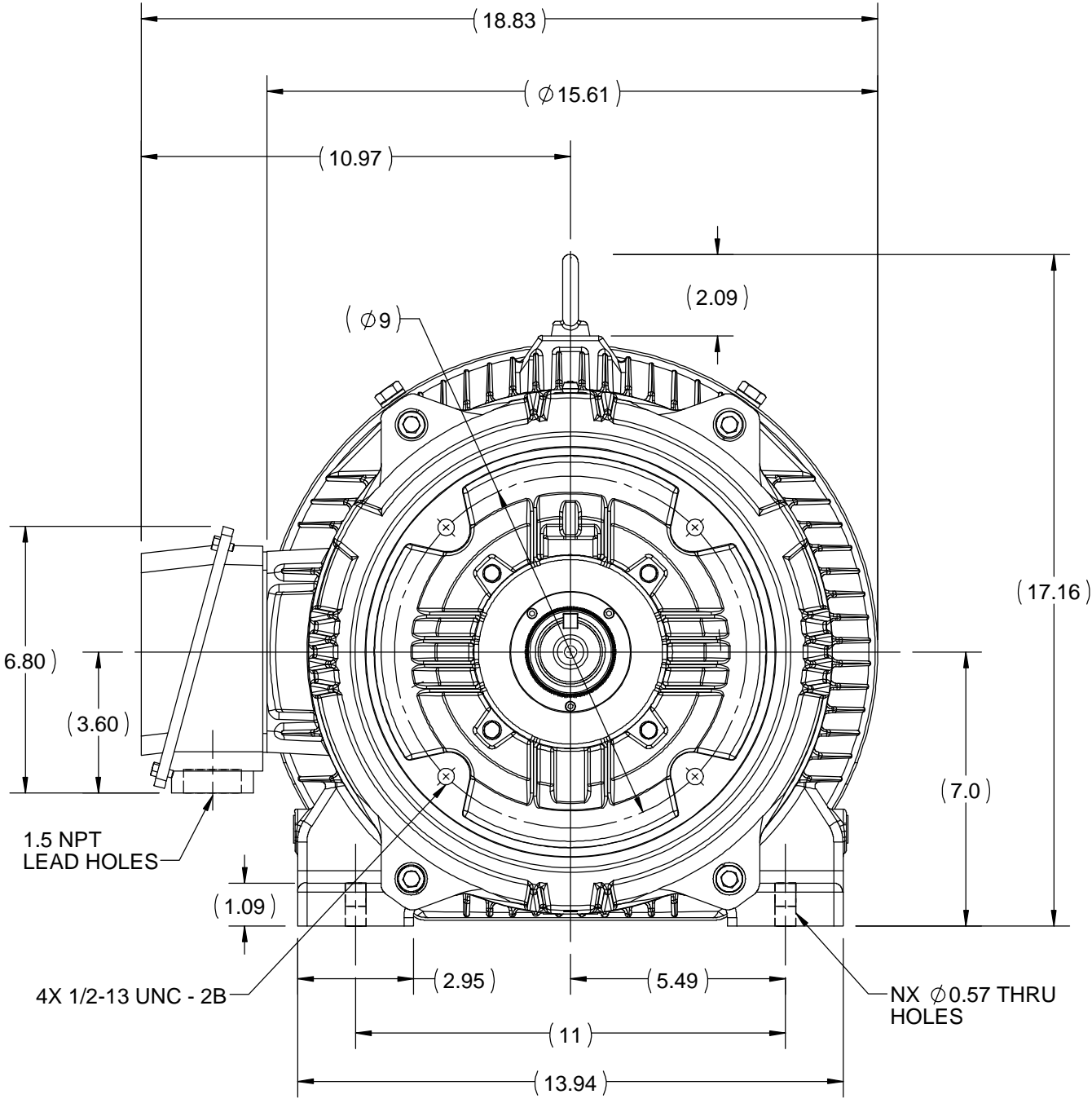
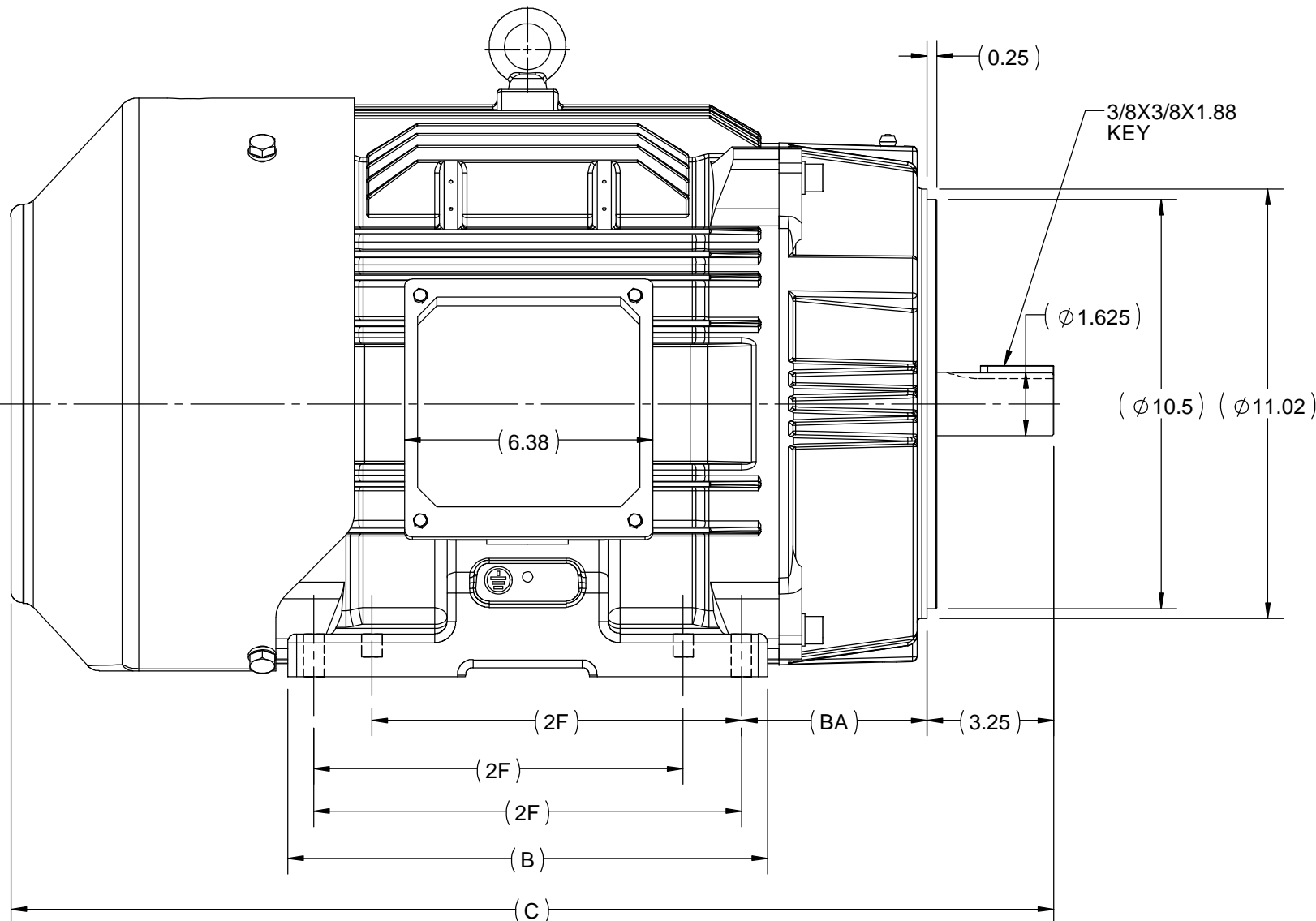
Uncontrolled Copy

2

1

B

B

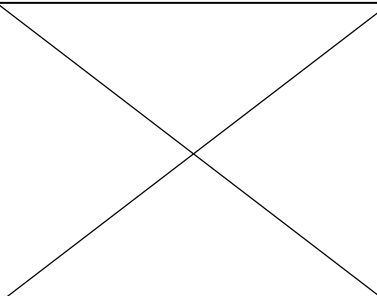


A

A

286	12.32	26.77	11	8	4.75
284	10.82	25.28	9.5	4	4.75
FRAME	B	C	2F	N	BA

DRAWING REVISION B	REVISION BY I. RAMDAS	DATE 30/08/2018
ECO ECO-0151027	APPROVED BY JAY	DATE 30/08/2018
ECO DESCRIPTION OUTLINE UPDATED AS PER 3D STRUCTURING		
<small>COPYRIGHT REGAL BELOIT AMERICA, INC. ALL RIGHTS RESERVED. PROPRIETARY AND CONFIDENTIAL INFORMATION - THIS DOCUMENT IS THE PROPERTY OF REGAL BELOIT AMERICA, INC. ("OWNER") AND CONTAINS OWNER'S PROPRIETARY INFORMATION. ANY PERSON, CORPORATION OR OTHER FIRM RECEIVING IT IS DEEMED, BY RECEIVING IT, TO AGREE THAT IT, AND/OR ANY PART OF IT, SHALL NOT BE DISCLOSED TO ANY PERSON, CORPORATION OR OTHER ENTITY, DUPLICATED, AND/OR USED, EXCEPT AS EXPRESSLY APPROVED IN WRITING IN ADVANCE BY OWNER. THIS DOCUMENT SHALL BE RETURNED TO OWNER UPON REQUEST. IT MAY BE SUBJECT TO CERTAIN RESTRICTIONS UNDER APPLICABLE EXPORT CONTROL LAWS AND REGULATIONS.</small>		



DRAWN BY SMAR	REGAL-BELOIT CORPORATION	
DATE 28/09/2015	DESCRIPTION OUTLINE	
APPROVED BY SBD	284/286TSC FR-TEFC-CAST IRON	
DATE 28/09/2015	MATERIAL	PROCESS/FINISH
REFERENCE	SIZE B	DRAWING NUMBER SS620706
THIRD ANGLE PROJECTION	SHEET 1 OF 1	

4

3

2

1