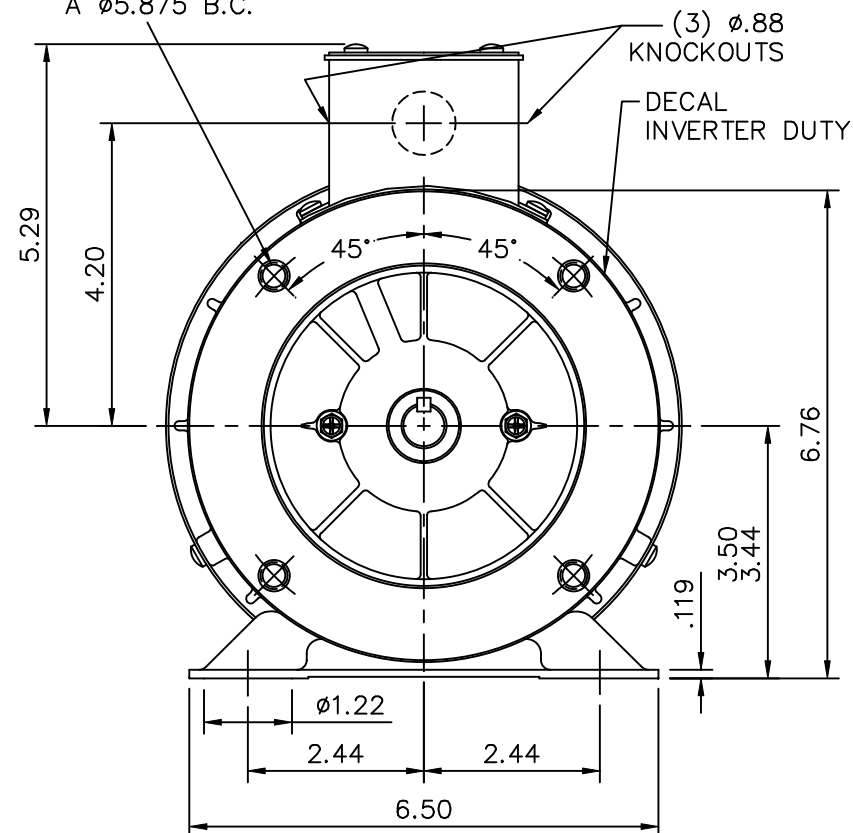


(4) 3/8-16 UNC-2B
X .56 DEEP ON
A ø5.875 B.C.



GASKETS THROUGHOUT
MAXIMUM FACE RUNOUT .004 T.I.R.
MAXIMUM PILOT ECCENTRICITY .004 T.I.R.
PERMISSIBLE SHAFT RUNOUT .002 T.I.R.

				TOLERANCES UNLESS SPECIFIED		MARATHON ELECTRIC	DRAWN KMM 07/31/06			
				DEC.	INCHES		CHK			
				.X	±.1	TITLE OUTLINE- 56C FRAME TEFC- RIGID "C"	APPD	PG 07/31/06		
				.XX	±.03		SCALE	3=8		
				.XXX	±.005		REF	028606		
				.XXXX	±.0005		MAT'L.	GENERAL PURPOSE		
NO.	REVISION	BY & DATE	CHK	ANG	±1/2"	FINISH	PREV			
THIS DRAWING IN DESIGN AND DETAIL IS OUR PROPERTY AND MUST NOT BE USED EXCEPT IN CONNECTION WITH OUR WORK ALL RIGHTS OF DESIGN AND INVENTION ARE RESERVED THIS IS AN ELECTRONICALLY GENERATED DOCUMENT - DO NOT SCALE THIS PRINT				RFP		CAD FILE	OL056T34F5940	SIZE	DRAWING NO.	REV.
				DIST				A	OL056T34F5940	

ERROR: syntaxerror
OFFENDING COMMAND: --nostringval--

STACK:

/im
-savelevel-