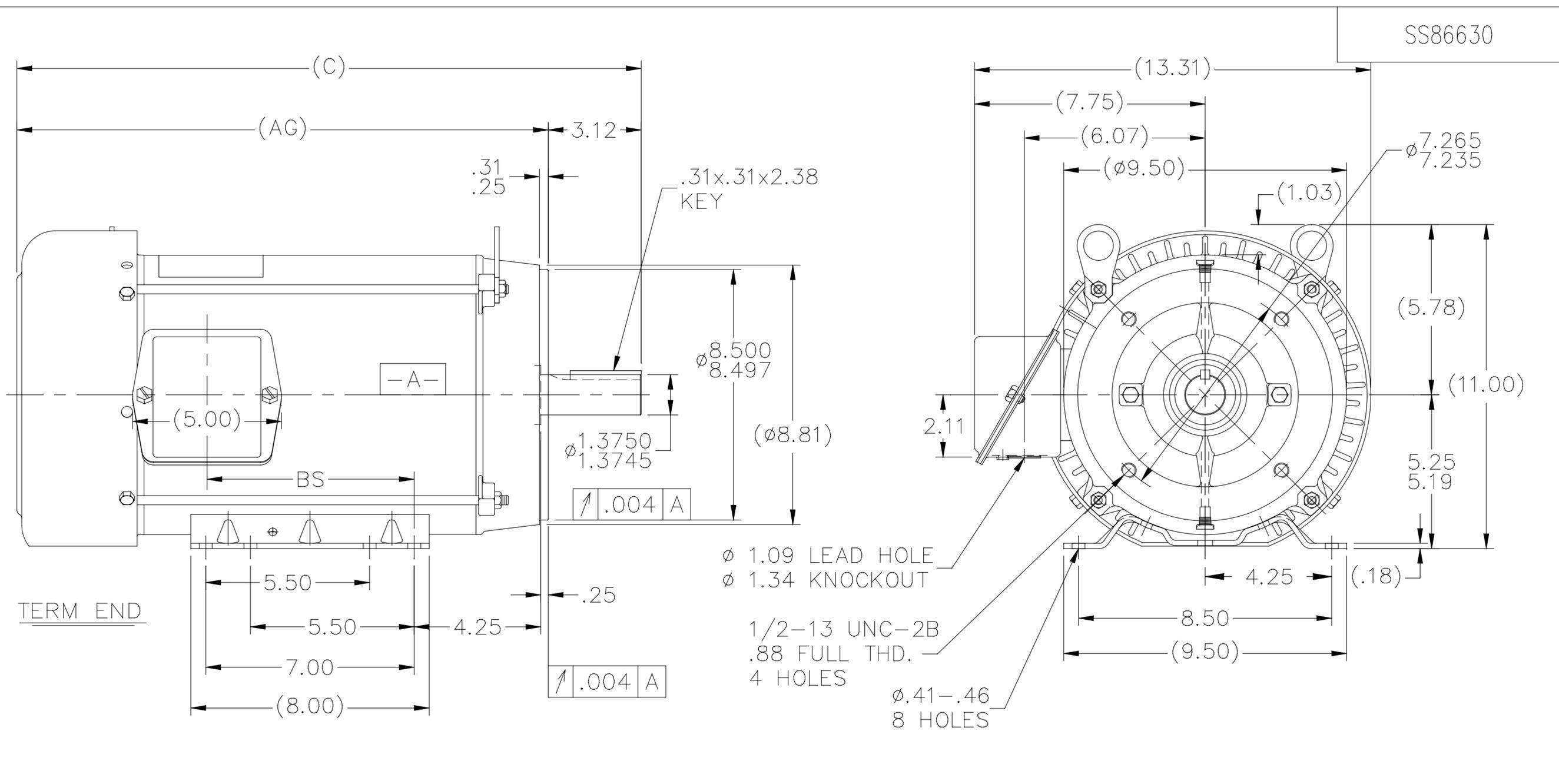


SS86630



TERM END

| DASH | FR.     | C     | AG    | BS   | MOUNTING |
|------|---------|-------|-------|------|----------|
| 965  | 213T    | 19.47 | 16.35 | 5.43 |          |
| 1115 | 213/15T | 20.97 | 17.85 | 6.93 |          |
| 1240 | 213/15T | 22.22 | 19.10 | 8.18 | F1 ONLY  |

- NOTES:
1. NAMEPLATE TO BE READ FROM C'BOX SIDE OF MOTOR.
  2. BOX CAN BE MOUNTED IN 90° STEPS.
  3. BOX CAN BE MOUNTED ON OPPOSITE SIDE BY REMOVING BRACKETS AND TURNING FRAME 180° (EXCEPT AS NOTED.)

| NO.  | REVISION                                  | BY & DATE      | CHK     | ANG                         | ±7'30" | FINISH                                    | PREV                 |                     |         |        |
|--|---|----------------|---------|-----------------------------|--------|---|----------------------|---------------------|---------|--------|
| 8  | TITLE BLOCK LOGO CHANGE PER ECO-0078542   | MDV 06/09/2015 | ML      | TOLERANCES UNLESS SPECIFIED |        |   | DRAWN DRS 09-19-1996 |                     |         |        |
| 7  | 4.25 WAS 4.50 / CORRECTED LOCATION        | TAT 09-23-2004 | ML      | DEC.                        | INCHES |   | CHK ML 09-20-1996    |                     |         |        |
| 6  | REDRAWN IN AUTOCAD                        | TAT 06-29-2004 |         | .X                          | ±.1    |   | APPD DN 09-20-1996   |                     |         |        |
| 5  | UPDATED C' BOX GEOMETRY CN 28425          | DRS 01-20-2000 |         | .XX                         | ±.03   | TITLE OUTLINE                             | SCALE 1=5            |                     |         |        |
| 4  | REVISED MOUNTING HOLES ON C' FACE WAS .75 | MJD 06-18-1998 |         | .XXX                        | ±.005  | 210T FR. - BB - TS - TEFC - R/S - C' FACE |                      |                     |         |        |
|  | FULL THREAD CN 25600-210                  |                |         | .XXXX                       | ±.0005 | MAT'L.                                    | FMF                  |                     |         |        |
|  |   |                |         |                             |        |   | PREV                 |                     |         |        |
| THIS DRAWING IN DESIGN AND DETAIL IS OUR PROPERTY AND MUST NOT BE USED EXCEPT IN CONNECTION WITH OUR WORK ALL RIGHTS OF DESIGN AND INVENTION ARE RESERVED THIS IS AN ELECTRONICALLY GENERATED DOCUMENT - DO NOT SCALE THIS PRINT |   |                | RFP     | CAD FILE ss86630            |        |   | SIZE A               | DRAWING NO. SS86630 | PAGE OF | REV. 8 |
|  |   |                | DIST LB |                             |        |   |                      |                     |         |        |

