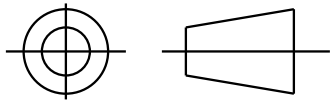


THIRD ANGLE PROJECTION

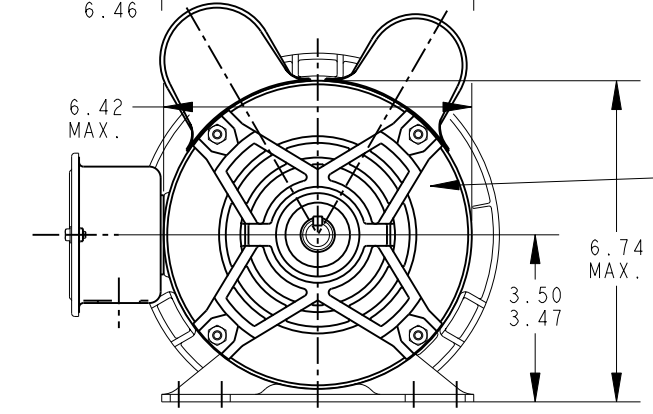
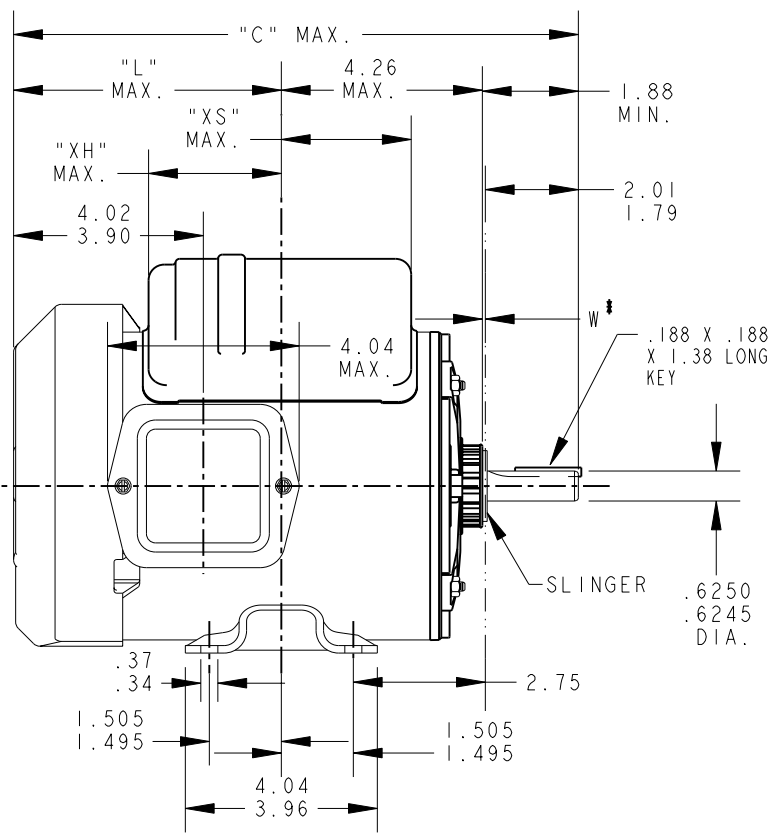
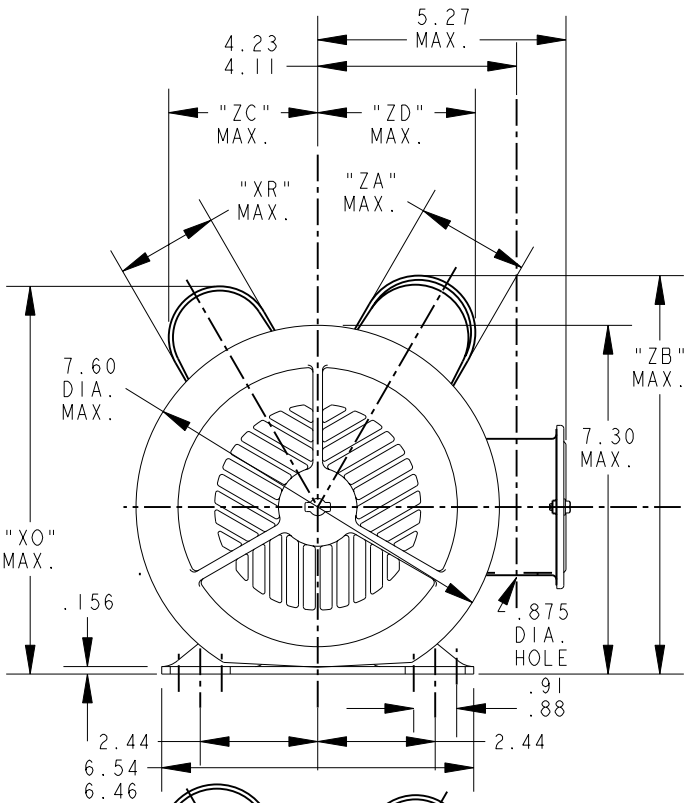


REVISIONS

REV.	DESCRIPTION	DATE	APPROVED
I	PER ISAAC 05-2899	12/05/05	RAJKUMAR

52A109627

SIZE DRAWING NO. A




\*W IS A VARIABLE CLEARANCE DUE TO VARIATIONS IN PARTS AND ASSEMBLY

CONTINUATION OF 52A107728

ALL DIMENSIONS ARE IN INCHES

I	KCR	49	56	14.27	8.12	4.17	8.14	2.10	1.54	2.22	8.31	3.12	3.25	8.99
P	TYPE	GE SIZE	NEMA FR.	"C"	"L"	"XH"	"XO"	"XR"	"XS"	"ZA"	"ZB"	"ZC"	"ZD"	MIN. SHELL

SIGNATURES		DATE
MODEL	.	.
DETAIL	M.D.PAPE	06/01/94
CHECKED	.	.
ENGRG	.	.
MFG	.	.
FOR ADDITIONAL INFO REFER TO:	QUALITY	.
APPLIED PRACTICES	ISSUED	M.D.PAPE 06/01/94
DIMENSIONS ARE IN INCHES ✓	SOLID MODEL: 52A109627	



**REGAL-BELOIT CORPORATION**

**TITLE**  
**OUTLINE**

**GENERAL PURPOSE MOTOR - TEFC - BALL BEARING - WELDED BASE**  
**FMF - 40 FRAME REDESIGN**

SIZE DRAWING: A

SCALE: 0.250 REF. No: . SHEET 1 of 1

52A109627 REV 1