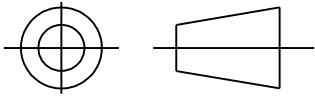


THIRD ANGLE PROJECTION

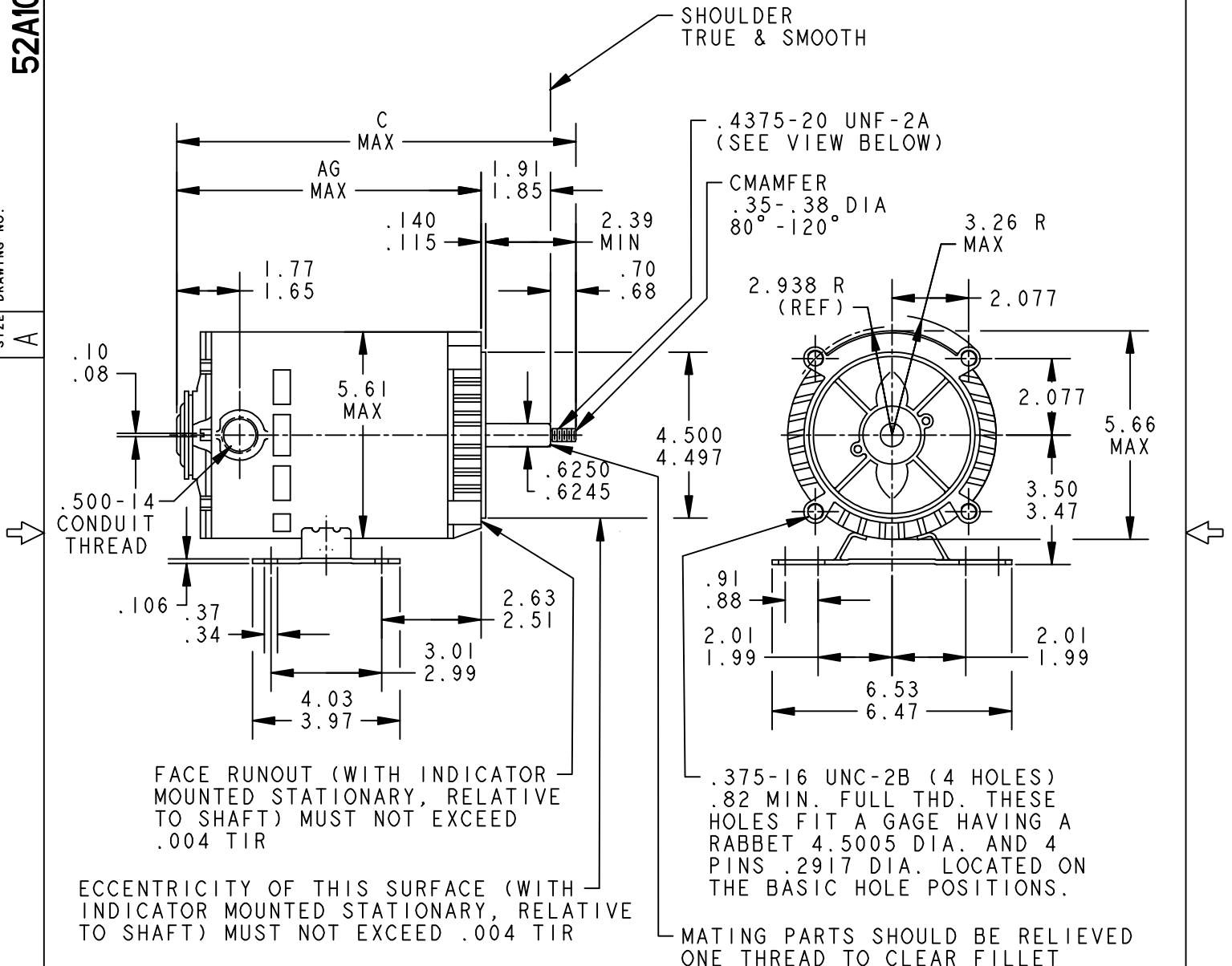


REVISIONS

REV.	DESCRIPTION	DATE	APPROVED
4	REDRAWN NO CHANGE T196-22390	9/9/96	M.D.P
5	CHG TO RBC FORMAT AS PER IS05-1777	01/03/06	GOVARDAN

SHEET 1  
REV 5  
52A102638

SIZE DRAWING NO. A



.500-14 CONDUIT THREAD


FACE RUNOUT (WITH INDICATOR MOUNTED STATIONARY, RELATIVE TO SHAFT) MUST NOT EXCEED .004 TIR

ECCENTRICITY OF THIS SURFACE (WITH INDICATOR MOUNTED STATIONARY, RELATIVE TO SHAFT) MUST NOT EXCEED .004 TIR

.375-16 UNC-2B (4 HOLES)  
.82 MIN. FULL THD. THESE HOLES FIT A GAGE HAVING A RABBIT 4.5005 DIA. AND 4 PINS .2917 DIA. LOCATED ON THE BASIC HOLE POSITIONS.

MATING PARTS SHOULD BE RELIEVED ONE THREAD TO CLEAR FILLET

SIGNATURES	DATE
MODEL M.D.P	02/13/78
DETAIL .	. .
CHECKED .	. .
ENGRG .	. .
MFG .	. .
QUALITY .	. .
ISSUED M.D.P	9/9/96
SOLID MODEL: 52A102638	



**REGAL-BELOIT CORPORATION**

TITLE **OUTLINE**

**FORM N JET PUMP MOTOR - DRIP PROOF**

**R2 & BASE MTG - SLEEVE & BALL BEARING**

SIZE DRAWING **52A102638** REV **5**

SCALE: 0.250 REF. No: . SHEET 1 OF 2

FOR ADDITIONAL INFO REFER TO:  
APPLIED PRACTICES  
DIMENSIONS ARE IN INCHES ✓  
MATERIAL