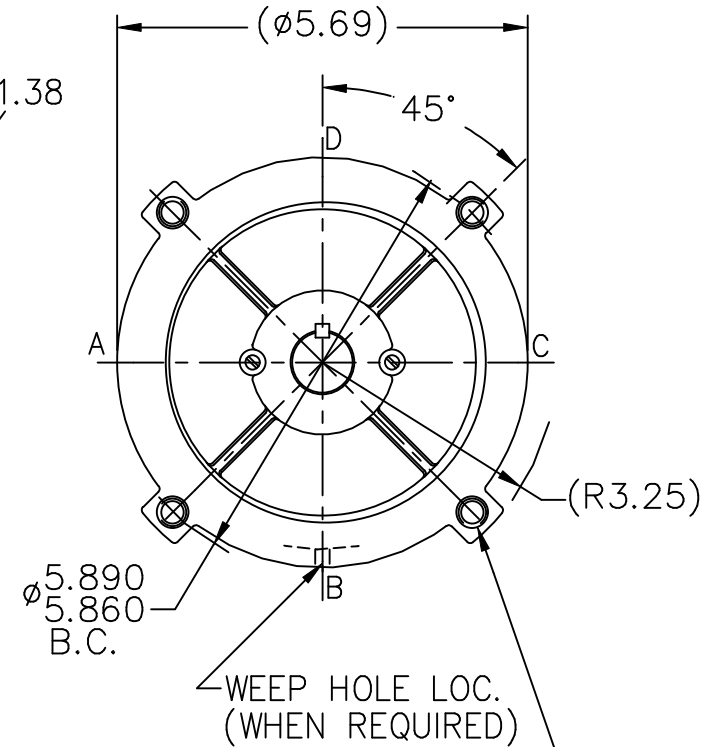
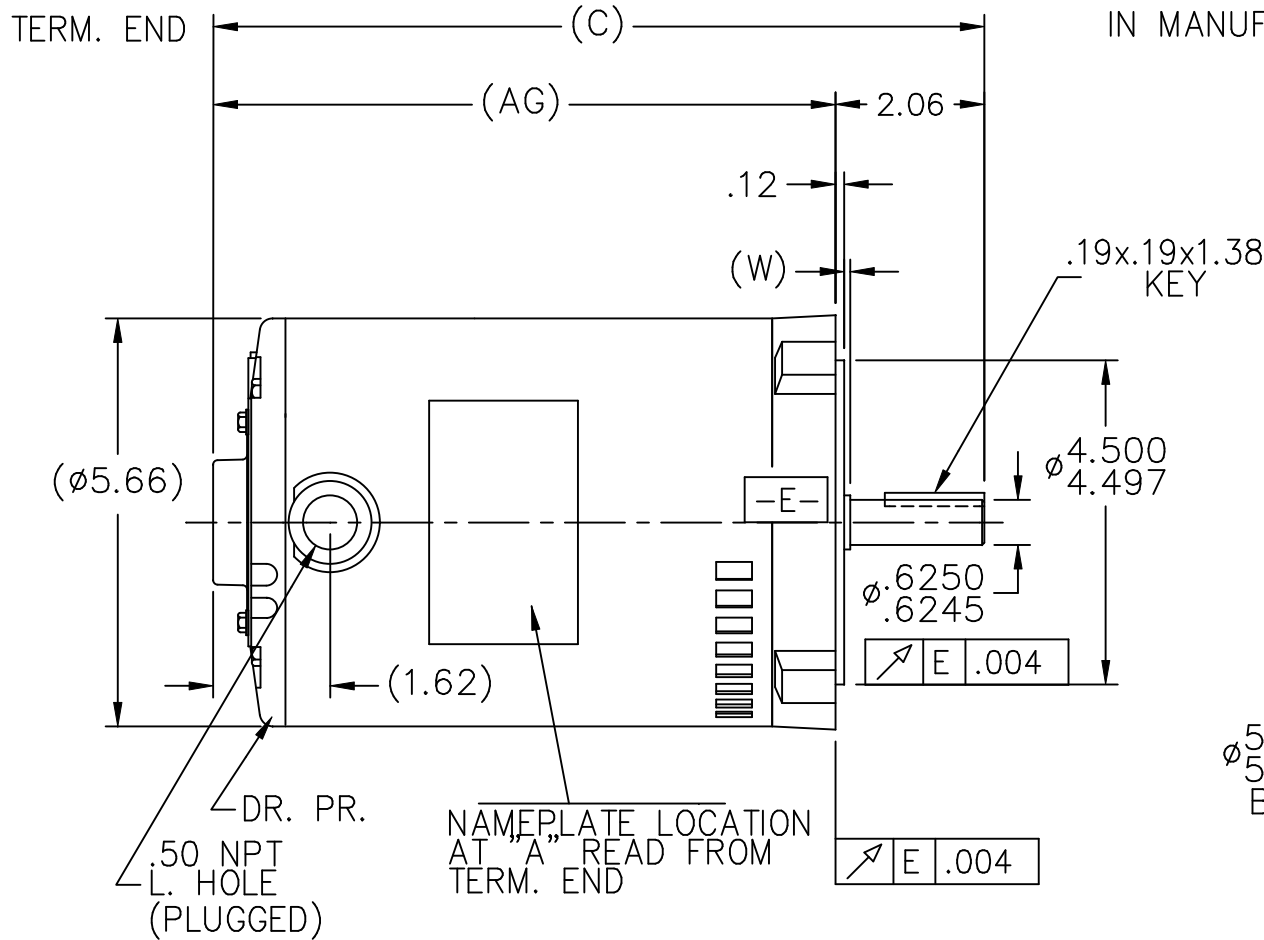


'W' = CLEARANCE ALLOWED FOR ALL VARIANCES
IN MANUFACTURING & ASSEMBLY



DASH	FR	C	AG
625	56C	10.19	8.12
650	56C	10.44	8.37

				TOLERANCES UNLESS SPECIFIED		MARATHON ELECTRIC	DRAWN RM 10-05-1992				
				DEC.	INCHES		CHK	ML	10-05-1992		
				.X	±.1	TITLE OUTLINE	APPD	JAY	10-07-1992		
3	UPDATED MOTOR PER CN 32487	ERH	11-17-2003	ML	.XX		±.03	SCALE	3=8		
2	REMOVED OIL PLUG CN 26772	BJW	03-06-2000		.XXX		±.005	REF			
1	NEW DRAWING 3958920	RM	190-09-1992		.XXX		±.0005	FMF			
NO.	REVISION	BY & DATE	CHK	ANG	±'30"		PREV				
THIS DRAWING IN DESIGN AND DETAIL IS OUR PROPERTY AND MUST NOT BE USED EXCEPT IN CONNECTION WITH OUR WORK ALL RIGHTS OF DESIGN AND INVENTION ARE RESERVED THIS IS AN ELECTRONICALLY GENERATED DOCUMENT - DO NOT SCALE THIS PRINT				RFP	CAD FILE ss75601		SIZE	DRAWING NO.	PAGE	OF	REV.
				DIST	WP		A	SS75601			3