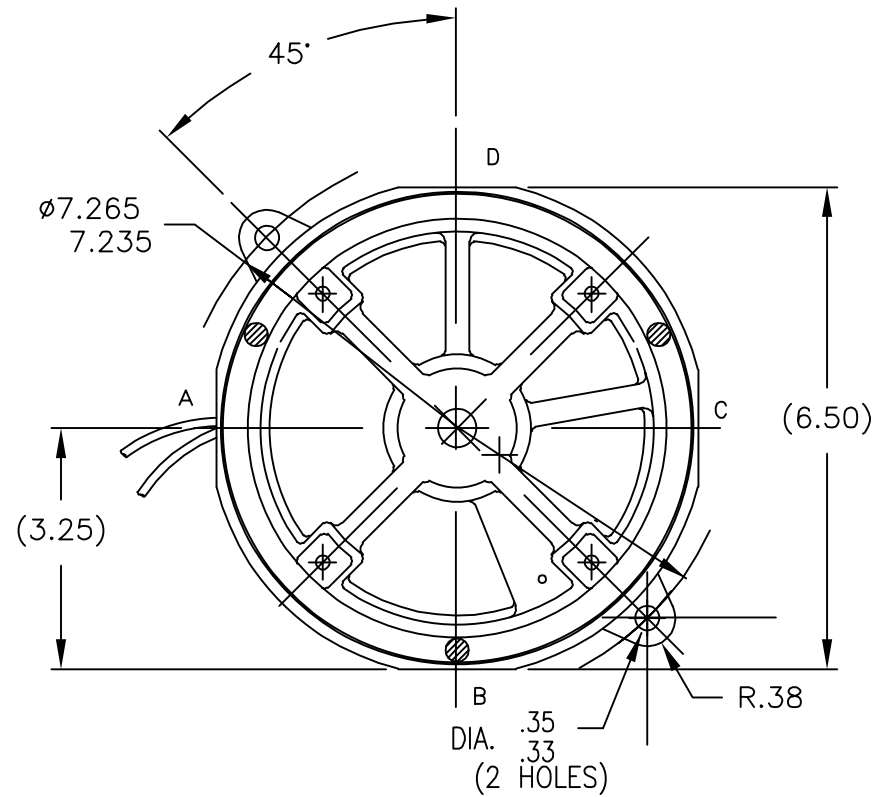
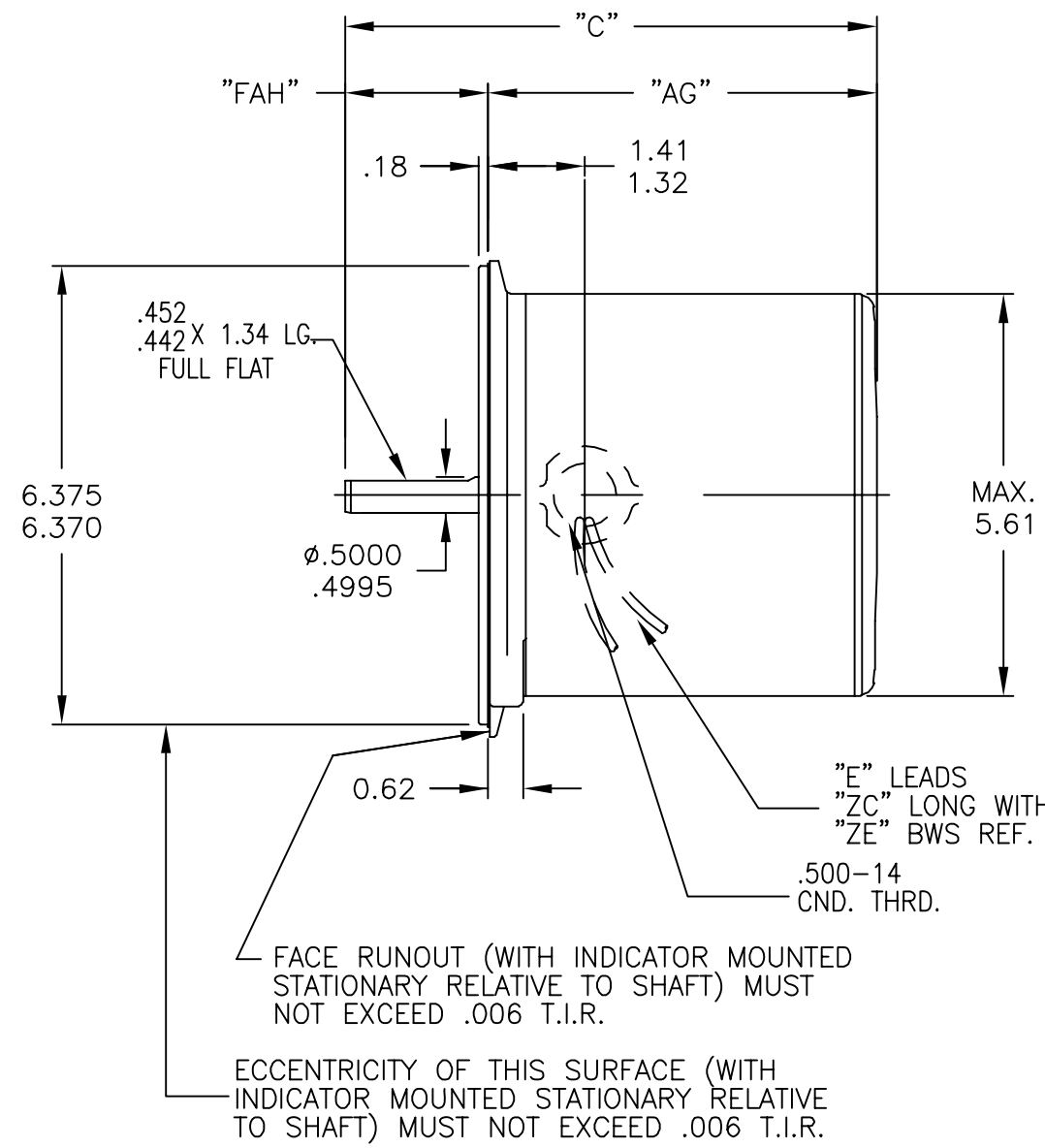


52A113117



THESE HOLES FIT A GAGE HAVING A RABBET 6.3755 DIA. AND 2 PINS .3309 DIA. LOCATED ON THE BASIC HOLE POSITIONS.



"E" LEADS "ZC" LONG WITH "ZE" BWS REF.
 .500-14 CND. THRD.
 FACE RUNOUT (WITH INDICATOR MOUNTED STATIONARY RELATIVE TO SHAFT) MUST NOT EXCEED .006 T.I.R.
 ECCENTRICITY OF THIS SURFACE (WITH INDICATOR MOUNTED STATIONARY RELATIVE TO SHAFT) MUST NOT EXCEED .006 T.I.R.

I	KH	32	48N	8.20	6.11	2	22/20	.69	2.09/1.97		5.16
P	TYPE	RBC SIZE	NEMA FR	"C"	"AG"	"E"	"ZC"	"ZE"	"FAH"		MIN. SHELL

TOLERANCES UNLESS SPECIFIED		REGAL-BELOIT CORPORATION TITLE OUTLINE OIL BURNER MOTOR – TWO LUGS FLANGE MOUNTED BALL BEARING	DRAWN PVK 10/16/11
DEC.	INCHES		CHK
.X	±0.1		APPD PVK 10/16/11
.XX	±0.02		SCALE NTS
.XXX	±0.005		REF
01	DIMENSIONS CHANGED PER ECO-0053332	PVR 06/11/14 DS	FMF 5KH33GN5014Y
NO.	REVISION	BY & DATE	PREV

THIS DRAWING IN DESIGN AND DETAIL IS OUR PROPERTY AND MUST NOT BE USED EXCEPT IN CONNECTION WITH OUR WORK ALL RIGHTS OF DESIGN AND INVENTION ARE RESERVED THIS IS AN ELECTRONICALLY GENERATED DOCUMENT – DO NOT SCALE THIS PRINT		RFP	CAD FILE	52A113117	SIZE	DRAWING NO.	REV.
		DIST			A	52A113117	01