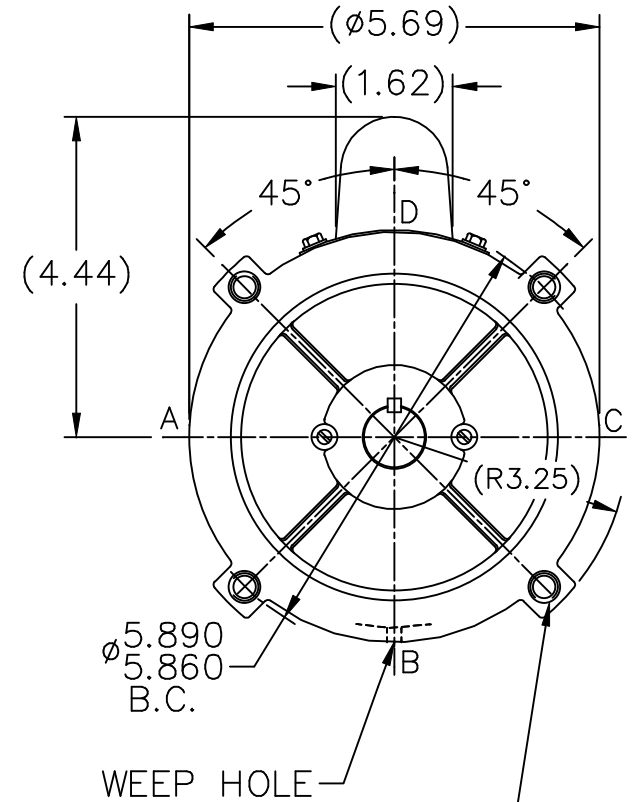


'W' = CLEARANCE ALLOWED FOR ALL VARIANCES IN MANUFACTURING & ASSEMBLY



3/8-16 UNC-2B
.56 MIN. FULL THD.
4 HOLES

DASH	FR	C	AG		DASH	FR	C	AG	
625	48	10.19	8.12		725	48	11.19	9.13	
675	48	10.69	8.63		775	48	11.69	9.63	
700	48	10.94	8.88		800	48	11.94	9.88	

NO.	REVISION	BY & DATE	CHK	ANG	TOLERANCES UNLESS SPECIFIED	
					DEC.	INCHES
4	UPDATED DRAWING	TJW 04/20/2007		.X	±.1	
3	REDRAWN IN AUTOCAD	TAT 05-19-2005	ML	.XX	±.03	
2	ADDED NEW FRONT BRACKET CN 20124	RJM 04-04-1995		.XXX	±.005	
1	NEW DRAWING 3982118	RM 12-30-1992		.XXXX	±.0005	
					±7'30"	

MARATHON ELECTRIC

TITLE OUTLINE

MAT'L.

FINISH

RFP

DIST WP

CAD FILE ss75633

SIZE A

DRAWN	RM 12-21-1992
CHK	MOL 12-21-1992
APPD	GK 12-21-1992
SCALE	3=8
REF	
FMF	
PREV	
DRAWING NO.	SS75633
PAGE	OF
REV.	4

ERROR: syntaxerror
OFFENDING COMMAND: --nostringval--

STACK:

/im
-savelevel-