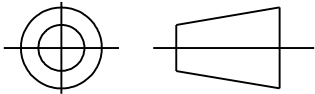


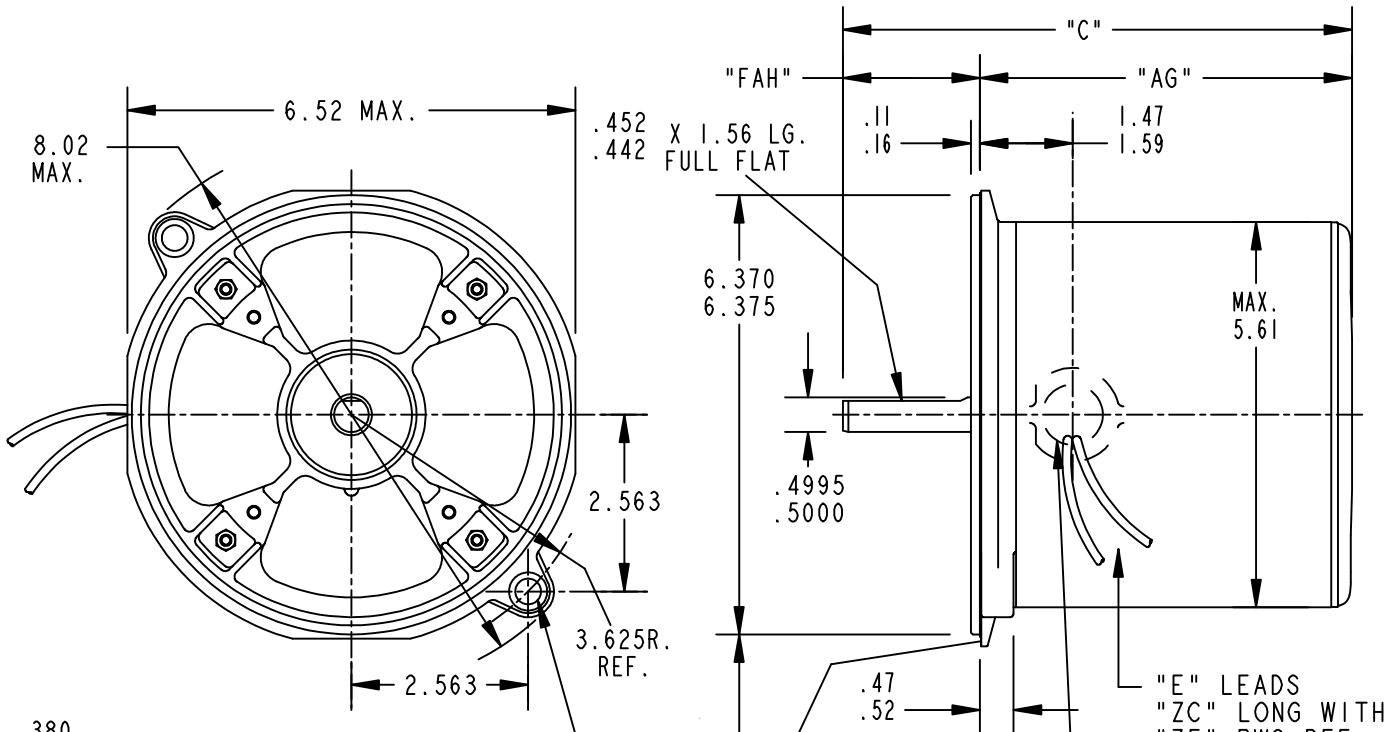
THIRD ANGLE PROJECTION



REVISIONS

REV.	DESCRIPTION	DATE	APPROVED
1	CHG TO RBC FORMAT PER IS05-1777	04/28/06	PRAVEEN.K

SHEET 1
REV 1
52A111274
SIZE DRAWING NO. A




.380 DIA. (2 HOLES)
.340
THESE HOLES FIT A GAGE HAVING A RABBET 6.3755 DIA. AND 2 PINS .3309 DIA. LOCATED ON THE BASIC HOLE POSITIONS.

ECCENTRICITY OF THIS SURFACE (WITH INDICATOR MOUNTED STATIONARY RELATIVE TO SHAFT) MUST NOT EXCEED .006 T.I.R.

FACE RUNOUT (WITH INDICATOR MOUNTED STATIONARY RELATIVE TO SHAFT) MUST NOT EXCEED .006 T.I.R.

I	KH	32	48N	8.13	6.07	2	22/20	.69	2.09/1.97	5.16
P	TYPE	GE SIZE	NEMA FR	"C"	"AG"	"E"	"ZC"	"ZE"	"FAH"	MIN. SHELL

SIGNATURES		DATE	 REGAL-BELOIT CORPORATION
MODEL	DURGA	01/13/05	
DETAIL	.	.	
CHECKED	.	.	
ENGRG	.	.	
FOR ADDITIONAL INFO REFER TO:			TITLE
APPLIED PRACTICES	QUALITY	.	OUTLINE FORM "N" - OIL BURNER MOTOR - TWO LUGS FLANGE MOUNTED SLEEVE BEARING
DIMENSIONS ARE IN INCHES	ISSUED	DURGA 01/13/05	
MATERIAL	SOLID MODEL: 52A111274		SIZE DRAWING 52A111274
SCALE: 1.000		REF. No: .	REV 1 SHEET 1 of 1