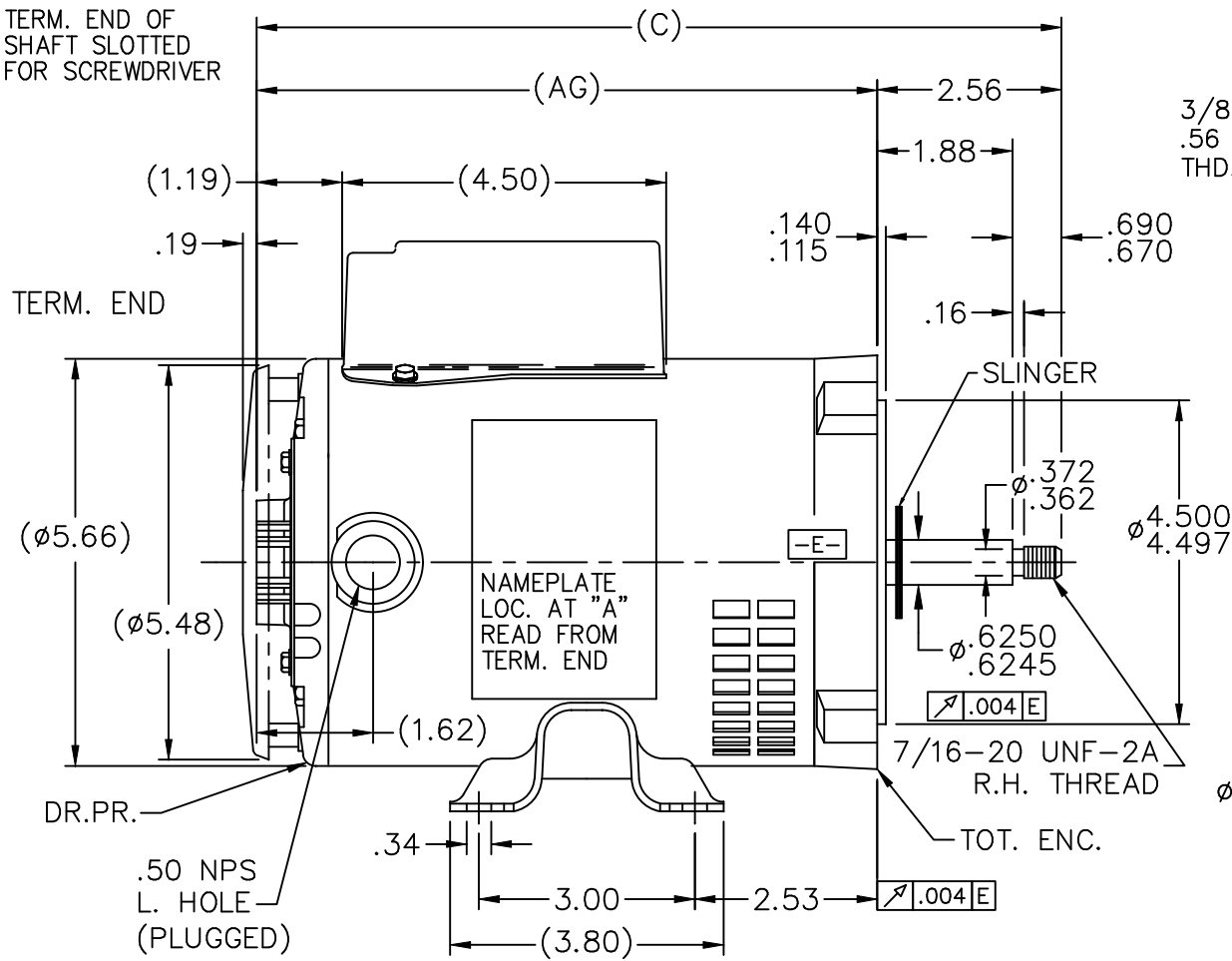
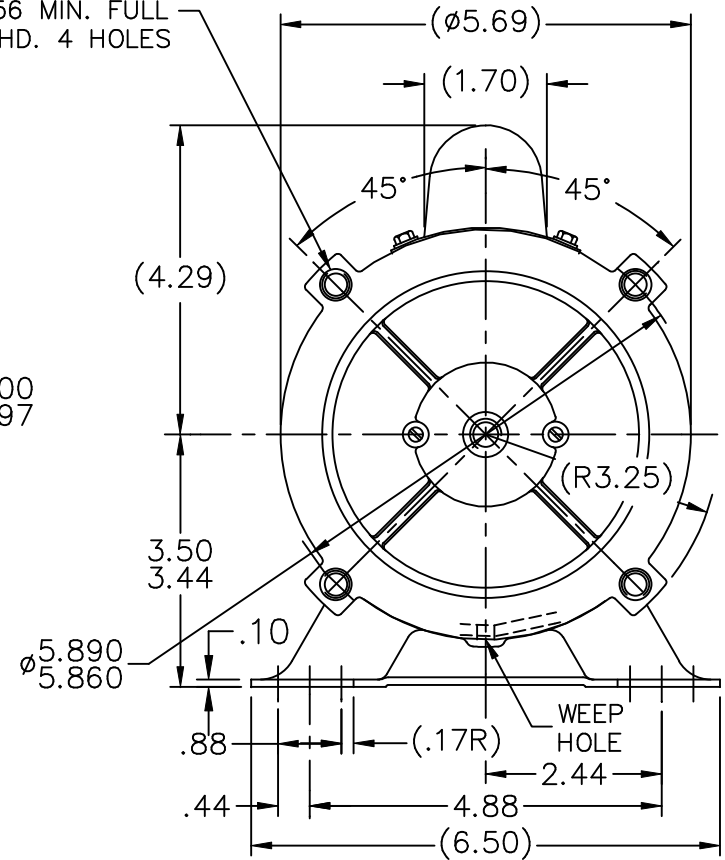


TERM. END OF SHAFT SLOTTED FOR SCREWDRIVER



3/8-16 UNC-2B  
.56 MIN. FULL THD. 4 HOLES



DASH	C	AG	DASH	C	AG	DASH	C	AG
625	10.69	8.12	700	11.44	8.88	775	12.19	9.62
650	10.94	8.38	725	11.69	9.12			
675	11.19	8.62	750	11.94	9.38			

NO.	REVISION	BY & DATE	CHK	TOLERANCES UNLESS SPECIFIED	
				DEC.	INCHES
5	UPDATED DRAWING	TJW 04/20/2007		DEC.	INCHES
4	REDRAWN IN AUTOCAD	TAT 07-13-2004	ML	.X	±.1
3	ADDED NEW FRONT BRACKET	CN 20124 RJM 04-04-1995		.XX	±.03
2	PHANTOM DRIPCOVER - ADDED SLINGER	CN 16315 KL 09-28-1993		.XXX	±.005
1	NEW DRAWING	4041651 DD 07-02-1993		.XXXX	±.0005
				ANG	±7'30"



TITLE OUTLINE  
MAT'L.  
FINISH

DRAWN DD 06-30-1993
CHK MOL 07-01-1993
APPD MB 07-01-1993
SCALE 3=8
REF
FMF
PREV

THIS DRAWING IN DESIGN AND DETAIL IS OUR PROPERTY AND MUST NOT BE USED EXCEPT IN CONNECTION WITH OUR WORK ALL RIGHTS OF DESIGN AND INVENTION ARE RESERVED THIS IS AN ELECTRONICALLY GENERATED DOCUMENT - DO NOT SCALE THIS PRINT			RFP	CAD FILE ss75914	SIZE A	DRAWING NO. SS75914	PAGE OF	REV. 5
			DIST WP					