

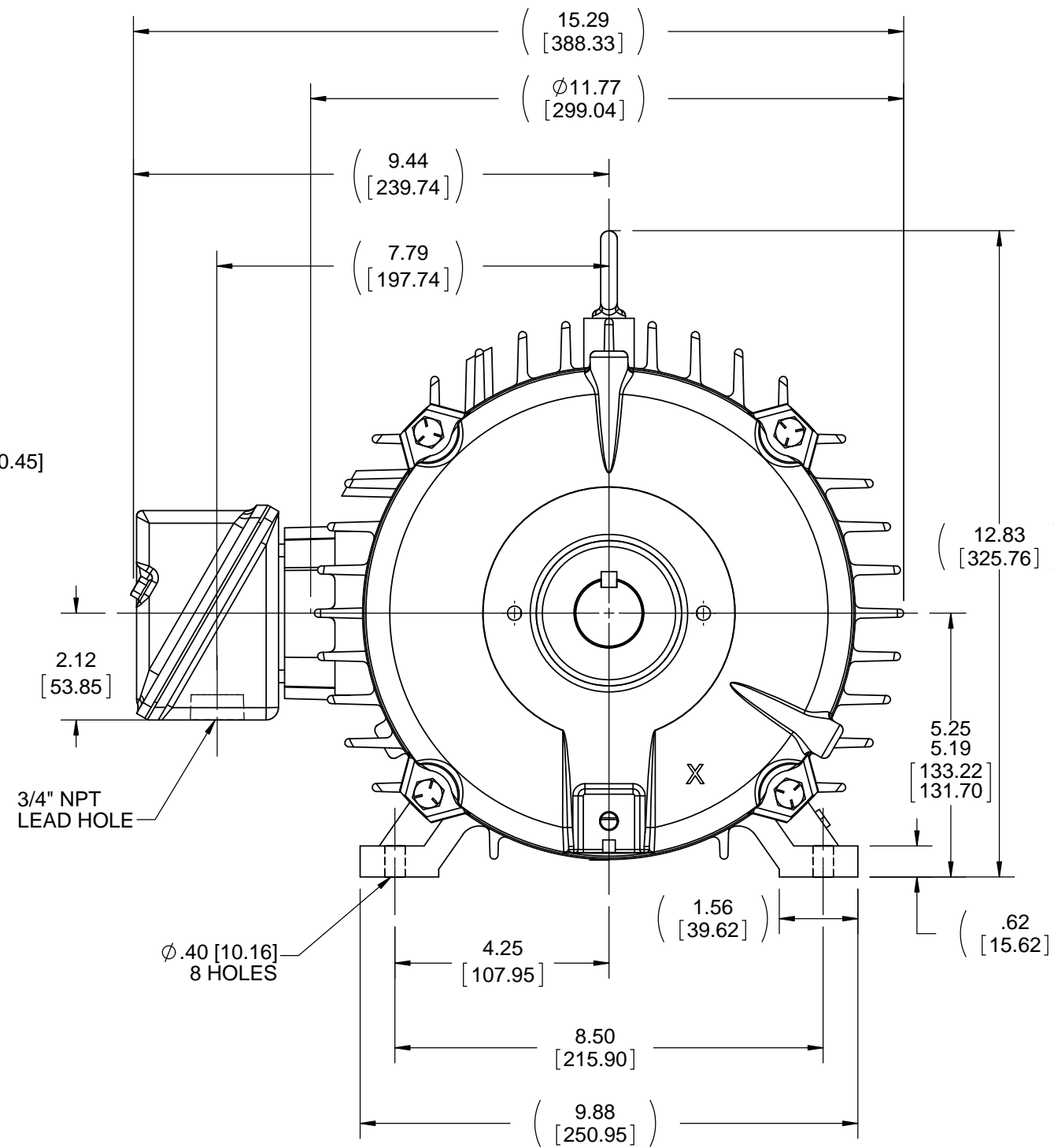
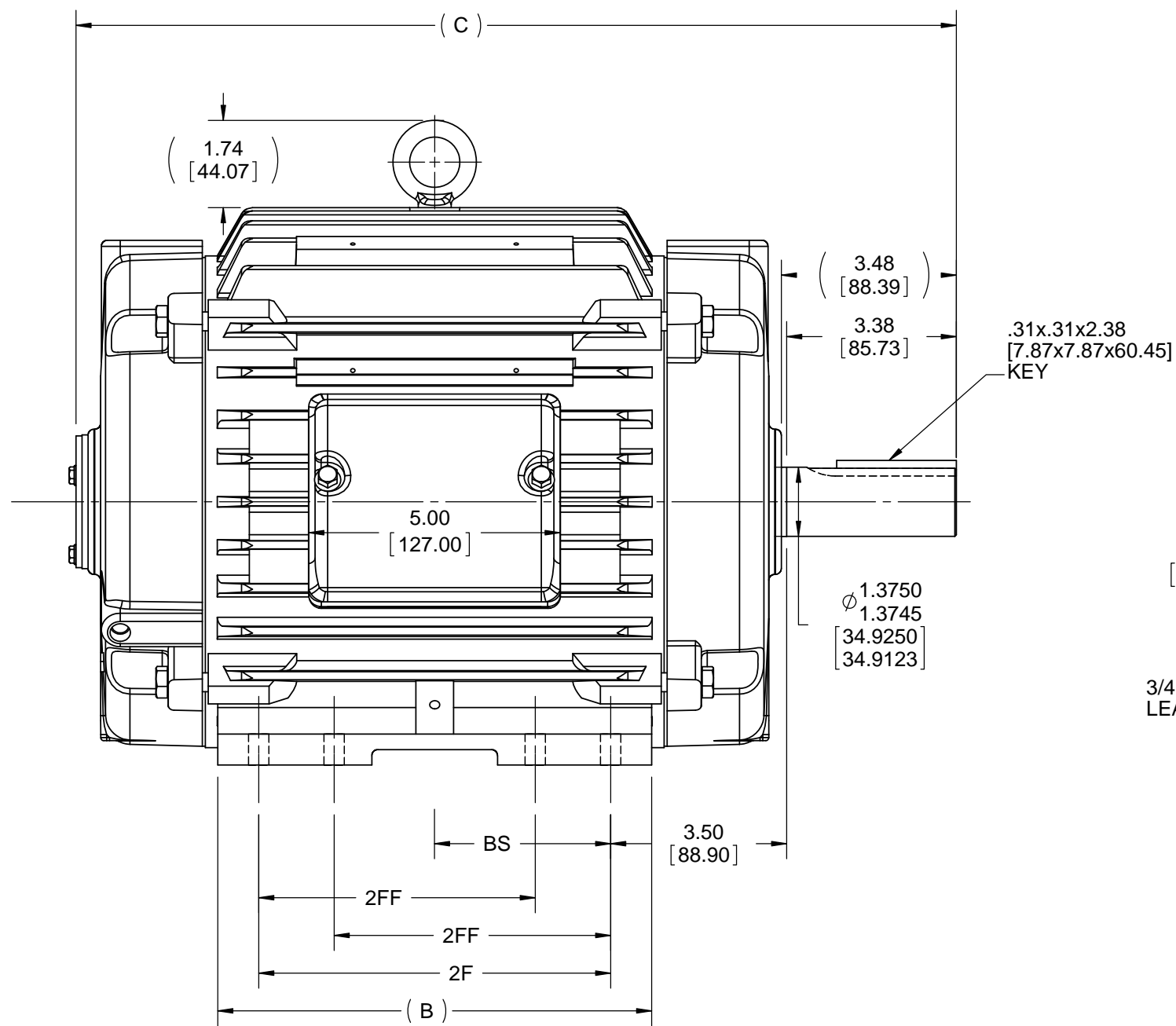
4

3

Uncontrolled Copy

2

1



NOTES:

- 1. CONDUIT BOX CAN BE ROTATED IN 90° STEPS.
- 2. CONDUIT BOX CAN BE MOUNTED IN OPPOSITE SIDE BY REMOVING BRACKETS AND TURNING FRAME 180°.
- 3. NAMEPLATE TO BE READ FROM CONDUIT BOX SIDE OF MOTOR.

1212	215	20.51 [520.95]	11.76 [298.70]	10.00 [254.00]	7.00 [177.80]	5.00 [127.00]
912	213/215	17.51 [444.75]	8.63 [219.20]	7.00 [177.80]	5.50 [139.70]	3.50 [88.90]
DASH	FRAME	C	B	2F	2FF	BS

DRAWING REVISION C	REVISION BY M. VERBICK	DATE 5-29-2015
ECO ECO-0078542	APPROVED BY	DATE
ECO DESCRIPTION TITLE BLOCK LOGO UPDATE		
<small>COPYRIGHT REGAL BELOIT AMERICA, INC. ALL RIGHTS RESERVED. PROPRIETARY AND CONFIDENTIAL INFORMATION - THIS DOCUMENT IS THE PROPERTY OF REGAL BELOIT AMERICA, INC. ("OWNER") AND CONTAINS OWNER'S PROPRIETARY INFORMATION. ANY PERSON, CORPORATION OR OTHER FIRM RECEIVING IT IS DEEMED, BY RECEIVING IT, TO AGREE THAT IT, AND/OR ANY PART OF IT, SHALL NOT BE DISCLOSED TO ANY PERSON, CORPORATION OR OTHER ENTITY, DUPLICATED, AND/OR USED, EXCEPT AS EXPRESSLY APPROVED IN WRITING IN ADVANCE BY OWNER. THIS DOCUMENT SHALL BE RETURNED TO OWNER UPON REQUEST. IT MAY BE SUBJECT TO CERTAIN RESTRICTIONS UNDER APPLICABLE EXPORT CONTROL LAWS AND REGULATIONS.</small>		

TOLERANCES UNLESS OTHERWISE SPECIFIED:			
DEC.	INCH	mm	ANGLE
.X	±0.1	[±2.5]	±0.5°
.XX	±0.03	[±0.76]	
.XXX	±0.005	[±0.127]	
.XXXX	±0.0005	[±0.0127]	
REMOVE BURRS & BREAK SHARP EDGES: .003/.015 [0.076/.381] X 45° CORNER FILLETS: R.02 [0.51] MACHINED SURFACES: 125 INCH 3.2 mm SHOWN IN [BRACKETS]			

DRAWN BY UD	DATE 11-14-2013
APPROVED BY SR	DATE 11-14-2013
REFERENCE 037728	THIRD ANGLE PROJECTION

REGAL ™ Regal Beloit America, Inc.	
DESCRIPTION OUTLINE 210 FR-STD-STD-T-TENV	PROCESS/FINISH
MATERIAL	SIZE B
DRAWING NUMBER 037907	SHEET 1 OF 1

4

3

2

1