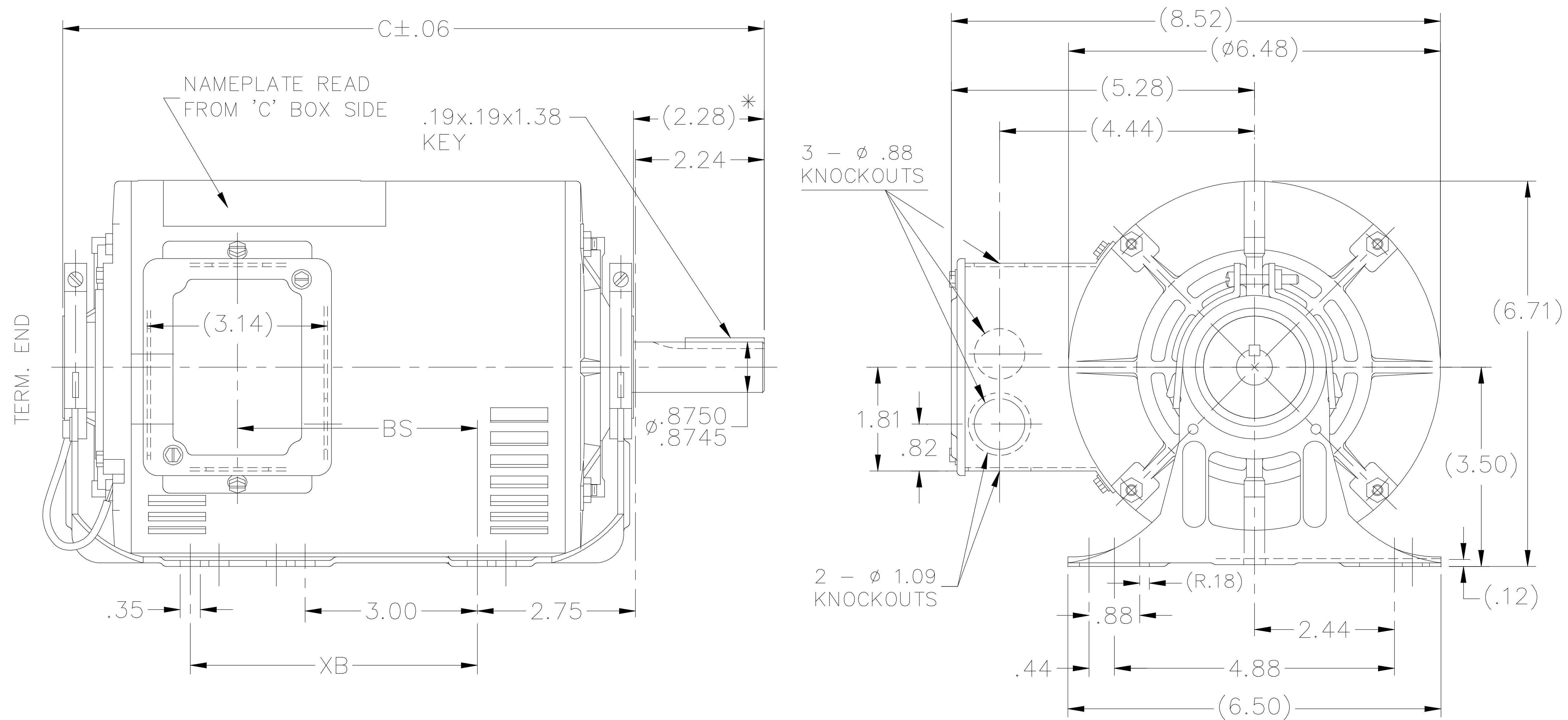


100573



DASH	FRAME	C	XB	BS	DASH	FRAME	C	XB	BS
656	56-65	11.22	0	3.18	856	56-85	13.22	5.00	5.18
706	"-70	11.72	0	3.68	906	"-90	13.72	5.00	5.68
756	"-75	12.22	5.00	4.18					
806	"-80	12.72	5.00	4.68					

* DIMENSION IS FROM RESILIENT RING END CAP TO END OF SHAFT

NO.	REVISION	BY & DATE	CHK	TOLERANCES UNLESS SPECIFIED		MARATHON ELECTRIC	DRAWN SMC 02-17-1992			
				DEC.	INCHES		CHK	ET 02-17-1992	APPD	MJ 02-17-1992
5	REMOVED NOTE ON DRAWING	UD 06-13-2018				TITLE OUTLINE 56 FR. - BB - DR.PR. - RESIL. BASE MAT'L. FINISH				
4	UPDATED DRAWING	RJW 03-28-2007		.X	$\pm .1$					
3	REDRAWN IN AUTOCAD	TAT 09-01-2004	ML	.XX	$\pm .03$				SCALE 3=8	
2	ADDED NOTE	CN 24378 PGK 06-11-1997		.XXX	$\pm .005$				REF	
1	NEW DRAWING	3868949 SMC 02-17-1992		.XXXX	$\pm .0005$				FMF	
				ANG	$\pm 7'30''$			PREV		
THIS DRAWING IN DESIGN AND DETAIL IS OUR PROPERTY AND MUST NOT BE USED EXCEPT IN CONNECTION WITH OUR WORK ALL RIGHTS OF DESIGN AND INVENTION ARE RESERVED THIS IS AN ELECTRONICALLY GENERATED DOCUMENT - DO NOT SCALE THIS PRINT				RFP		CAD FILE 100573	SIZE A	DRAWING NO. 100573	PAGE OF	REV. 5
				DIST WP						