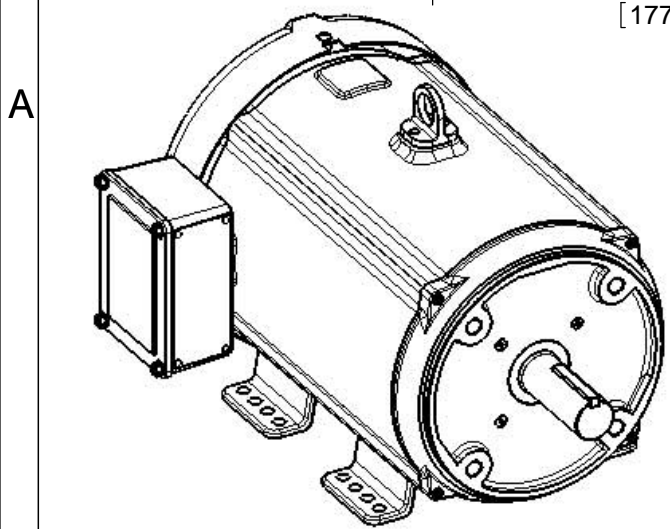


(2) 3/4-14 NPT



ISOMETRIC VIEW
SCALE 1=6

DRAWING REVISION E	REVISION BY M. VERBICK	DATE 5-29-2015	TOLERANCES UNLESS OTHERWISE SPECIFIED: DEC. INCH mm ANGLE .X ±0.1 [±2.5] .XX ±0.03 [±0.76] .XXX ±0.005 [±0.127] .XXXX ±0.0005 [±0.0127] REMOVE BURRS & BREAK SHARP EDGES: .003/.015 [0.076/.381] X 45° CORNER FILLETS: R.02 [51] MACHINED SURFACES: 125 3.2 mm SHOWN IN [BRACKETS]	DRAWN BY JJK	REGAL ™ Regal Beloit America, Inc.
ECO ECO-0078542	APPROVED BY	DATE		DATE 06-14-2004	
ECO DESCRIPTION TITLE BLOCK LOGO CHANGE COPYRIGHT REGAL BELOIT AMERICA, INC. ALL RIGHTS RESERVED. PROPRIETARY AND CONFIDENTIAL INFORMATION - THIS DOCUMENT IS THE PROPERTY OF REGAL BELOIT AMERICA, INC. ("OWNER") AND CONTAINS OWNER'S PROPRIETARY INFORMATION. ANY PERSON, CORPORATION OR OTHER FIRM RECEIVING IT IS DEEMED, BY RECEIVING IT, TO AGREE THAT IT, AND/OR ANY PART OF IT, SHALL NOT BE DISCLOSED TO ANY PERSON, CORPORATION OR OTHER ENTITY, DUPLICATED, AND/OR USED, EXCEPT AS EXPRESSLY APPROVED IN WRITING IN ADVANCE BY OWNER. THIS DOCUMENT SHALL BE RETURNED TO OWNER UPON REQUEST. IT MAY BE SUBJECT TO CERTAIN RESTRICTIONS UNDER APPLICABLE EXPORT CONTROL LAWS AND REGULATIONS.				APPROVED BY	DESCRIPTION OUTLINE TEFC - RIGID "C"
				DATE	MATERIAL OLG140675-00 WASHGUARD ALL STAINLESS STEEL MOTOR
				THIRD ANGLE PROJECTION	PROCESS/FINISH DRAWING NUMBER 037616
					SHEET 1 OF 1