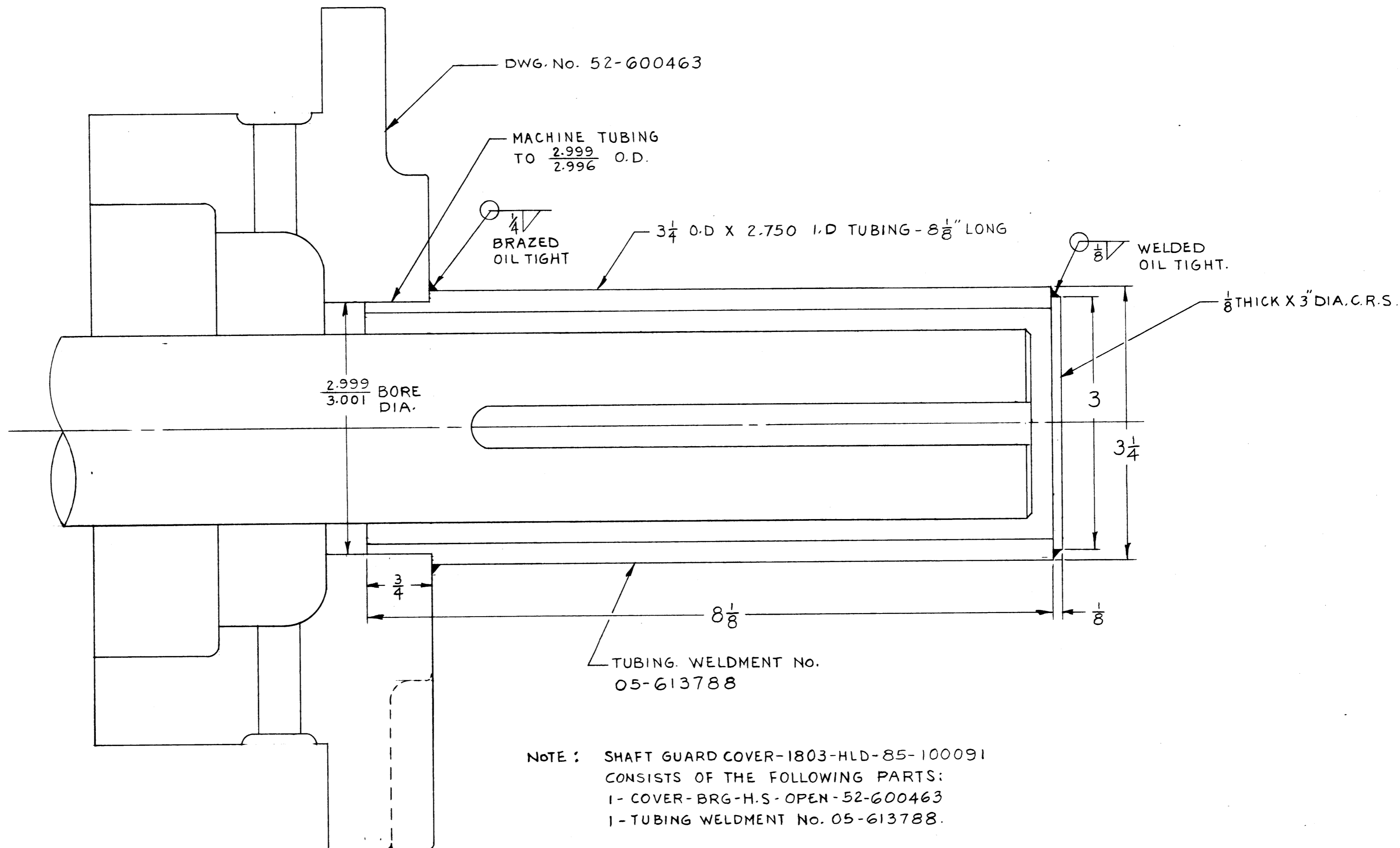


REVISIONS

SYM.	DESCRIPTION	BY	DATE	CHKD.



LIMITS UNLESS NOTED	
FRACTIONAL DIMENSIONS	
BETWEEN FINISHED SURFACES	$\pm .018$
BETWEEN UNFINISHED SURFACES	$\pm .080$
BETWEEN FINISHED AND UNFINISHED SURFACES	$\pm .080$
BREAK ALL SHARP EDGES .018 MAX.	ANGLES $\pm \frac{1}{2}^\circ$

SCALE: FULL	DATE	GEAR PRODUCTS OPERATIONS HEWITT-ROBINS <small>INCORPORATED</small> A DIVISION OF LITTON INDUSTRIES	SHAFT GUARD COVER - H.S. 1803-HLD 85-100091
DRAWN BY <i>Jm</i>	9-13-68		
CHECKED BY <i>Mm</i>	9-16-68		
APPROVED BY			