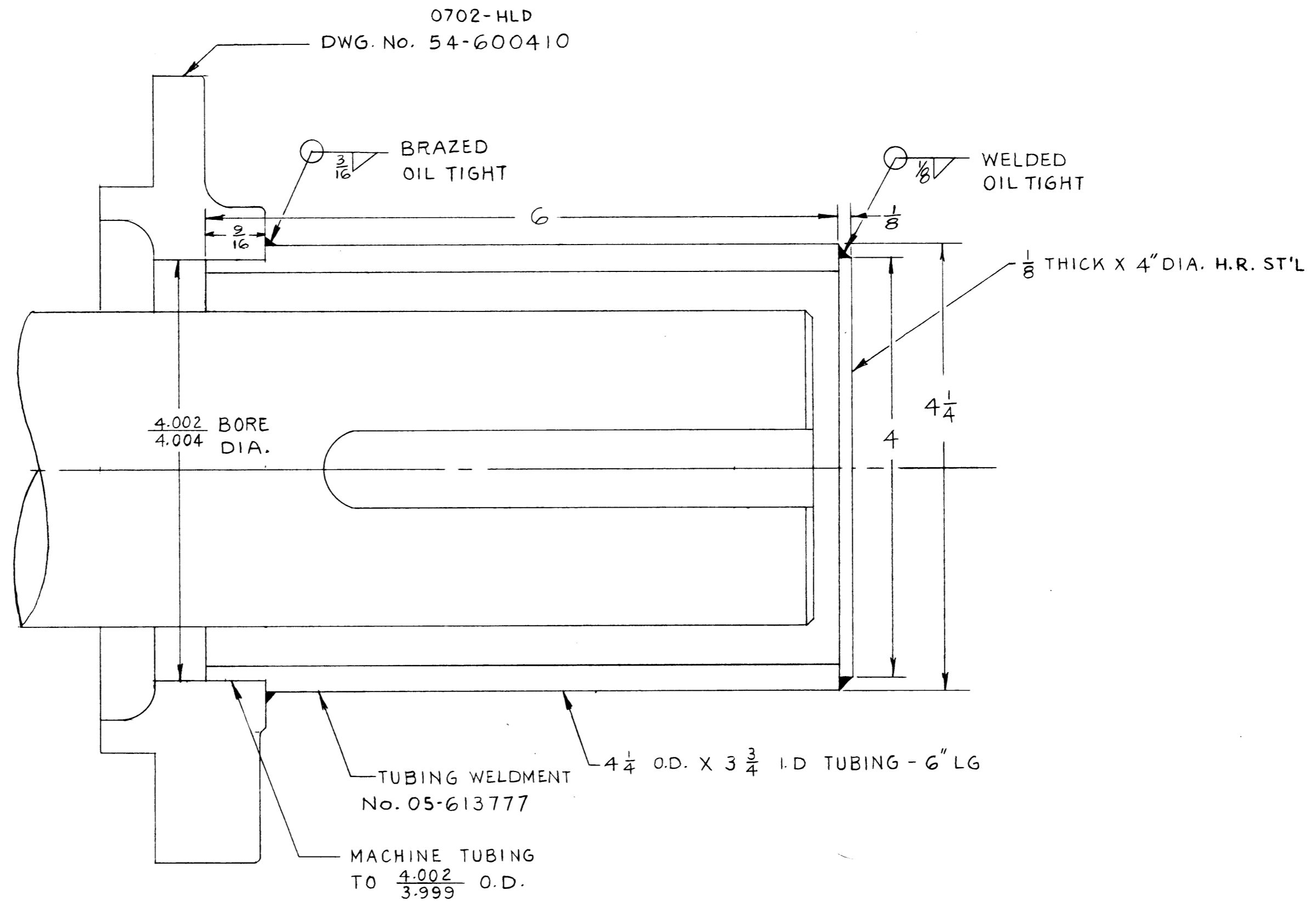


REVISIONS

BYM.	DESCRIPTION	BY	DATE	CHKD.



NOTE: SHAFT GUARD — 0702-HLD-85-100097
 CONSISTS OF THE FOLLOWING PARTS :
 1-COVER-BRG-L.S.-OPEN-54-600410
 1-TUBING WELDMENT No. 05-613777

LIMITS UNLESS NOTED	
FRACTIONAL DIMENSIONS	
BETWEEN FINISHED SURFACES	$\pm .018$
BETWEEN UNFINISHED SURFACES	$\pm .040$
BETWEEN FINISHED AND UNFINISHED SURFACES	$\pm .040$
BREAK ALL SHARP EDGES .018 MAX.	ANGLES $\pm \frac{1}{2}^\circ$

SCALE: FULL	DATE
DRAWN BY <i>JM</i>	9-13-68
CHECKED BY <i>BT</i>	12-27-68
APPROVED BY	

GEAR PRODUCTS OPERATIONS
HEWITT-ROBINS
 INCORPORATED
 A DIVISION OF LITTON INDUSTRIES

SHAFT GUARD — L.S.	DATE:
	0702-HLD
	85-100097