

SHEET
REV
52A109614 2

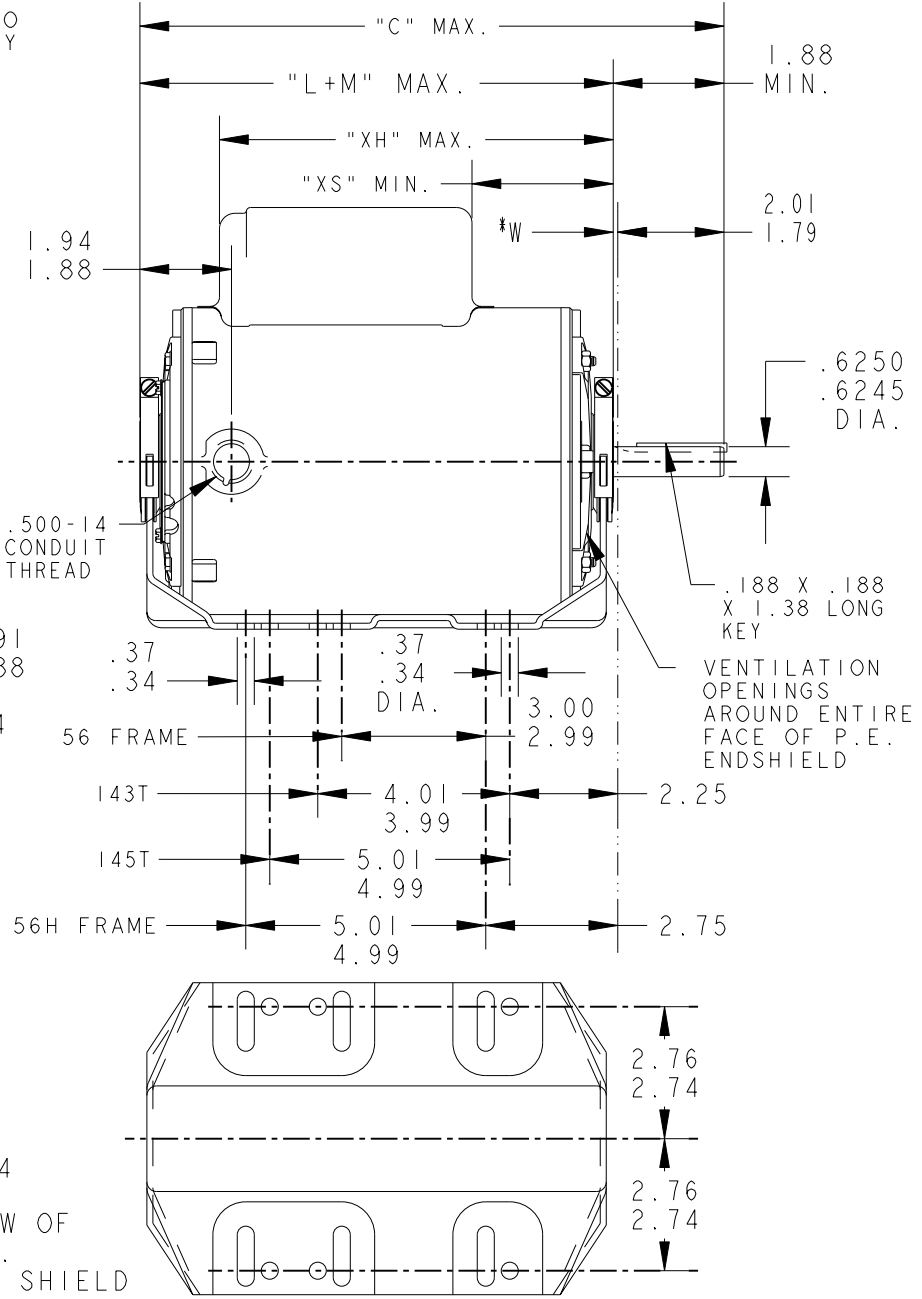
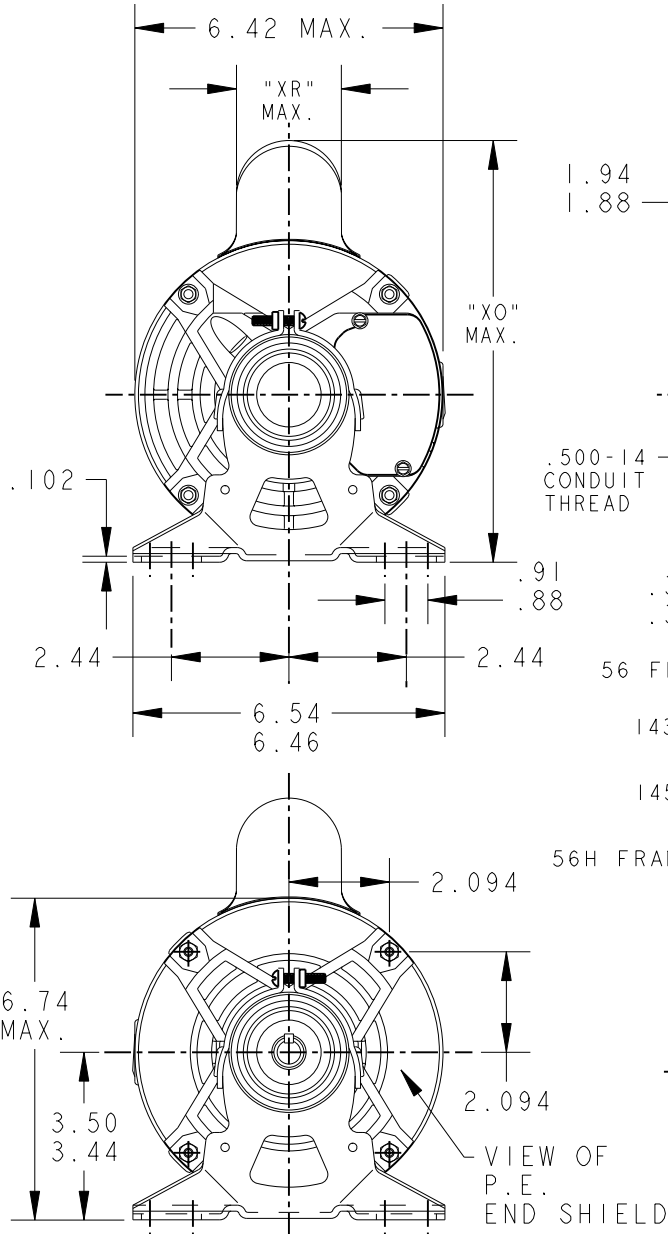
THIRD ANGLE PROJECTION



REVISIONS


REV.	DESCRIPTION	DATE	APPROVED
2	CHG TO RBC FORMAT PER ISO5-1777	03/21/06	SUDHA

*W IS A VARIABLE CLEARANCE DUE TO VARIATIONS IN PARTS AND ASSEMBLY



I	KC	49	56H	12.01	10.01	7.72	8.26	1.60	2.13		7.68
P	TYPE	GE SIZE	NEMA FR	C	L+M	XH	XO	XR	XS		SHELL MIN.

SIGNATURES		DATE
MODEL	M. D. PAPE	04/22/94
DETAIL	.	.
CHECKED	.	.
ENGRG	.	.
MFG	.	.
QUALITY	.	.
ISSUED	M. D. PAPE	04/22/94
SOLID MODEL: 52A109614		



REGAL-BELOIT CORPORATION

TITLE

OUTLINE

GENERAL PURPOSE MOTOR - DRIP PROOF - BALL BEARING RESILIENT BASE

SIZE: DRAWING **A**

SCALE: 0.250 REF. No: .

52A109614

REV **2**

SHEET 1 of 1

FOR ADDITIONAL INFO REFER TO:
 APPLIED PRACTICES
 DIMENSIONS ARE IN INCHES ✓
 MATERIAL