

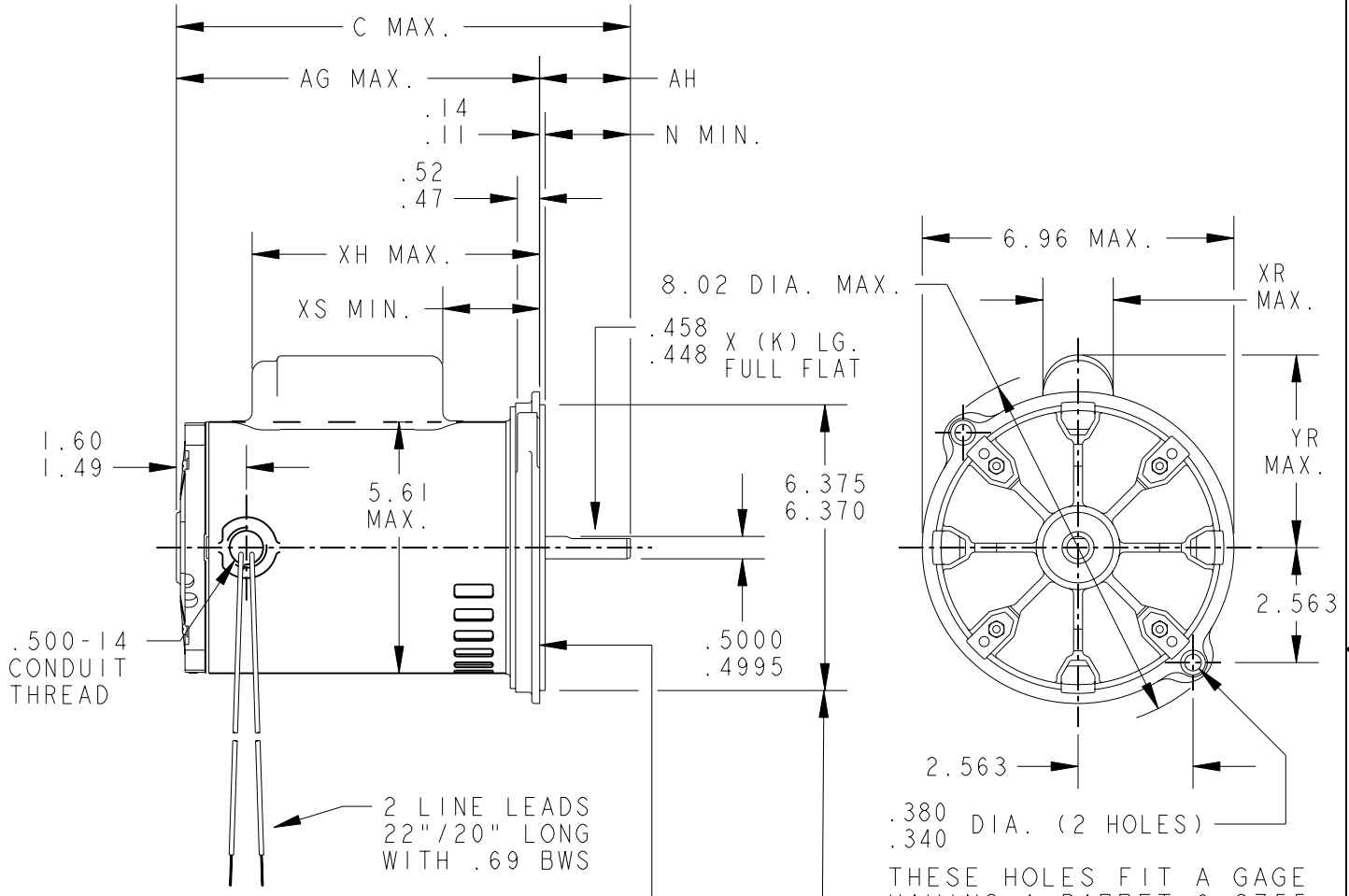
SHEET 1  
REV 4  
52A110216

THIRD ANGLE PROJECTION



REVISIONS

REV.	DESCRIPTION	DATE	APPROVED
2	ADDED LEADS T199-24,700.	06/08/99	M.D.PAPE
3	ADDED PART # 2	01/17/03	D.SANKAR
4	CHG TO RBC FORMAT PER ISO5-1777	04/19/06	SUDHA




FACE RUNOUT (WITH INDICATOR MOUNTED STATIONARY RELATIVE TO SHAFT) MUST NOT EXCEED .006 T.I.R.

ECCENTRICITY OF THIS SURFACE (WITH INDICATOR MOUNTED STATIONARY RELATIVE TO SHAFT) MUST NOT EXCEED .006 T.I.R.

THESE HOLES FIT A GAGE HAVING A RABBET 6.3755 DIA. AND 2 PINS .3307 DIA. LOCATED ON THE BASIC HOLE POSITIONS.

2	KC	38	48N	8.73	10.73	6.50	1.60	1.45	4.34	1.31	1.84	2.01/1.97
1	KC	37	48N	8.13	10.13	6.50	1.60	2.06	4.34	1.31	1.84	2.01/1.97
P	TYPE	GE SIZE	NEMA FR	AG	C	XH	XR	XS	YR	K	N	AH

SIGNATURES		DATE
MODEL	M.D.PAPE	10/29/98
DETAIL	.	.
CHECKED	.	.
ENGRG	.	.
MFG	.	.
FOR ADDITIONAL INFO REFER TO:	QUALITY	.
APPLIED PRACTICES	ISSUED	M.D.PAPE 10/29/98
DIMENSIONS ARE IN INCHES	SOLID MODEL: 52A110216	



**REGAL-BELOIT CORPORATION**

TITLE: **OUTLINE**

**FORM N - SPECIAL PURPOSE MOTOR - TWO LUG FLANGE MOUNTED - BALL BEARING**

SIZE: DRAWING **52A110216** REV **4**

SCALE: 0.250 REF. No: . SHEET 1 of 1