

4

3

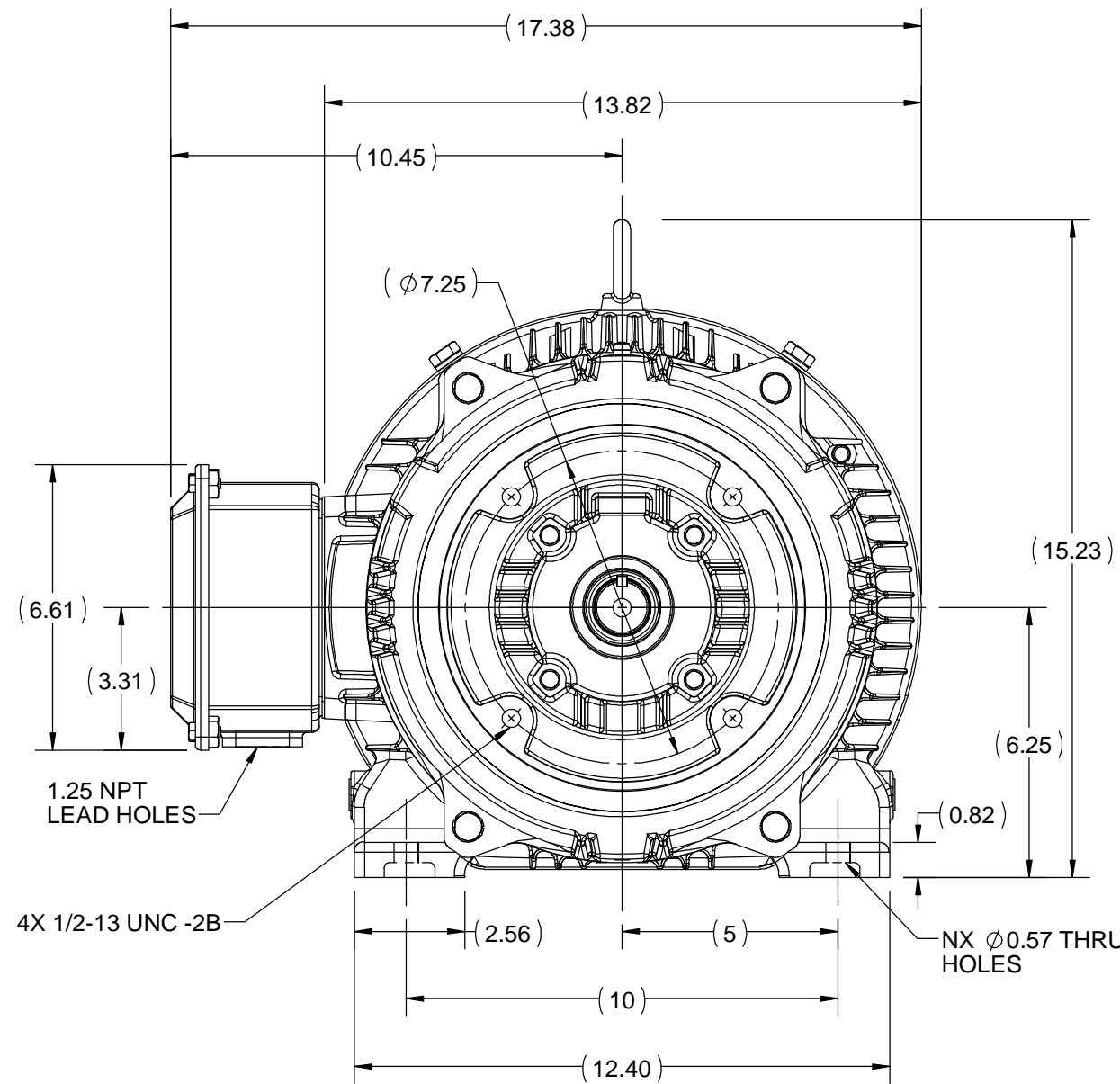
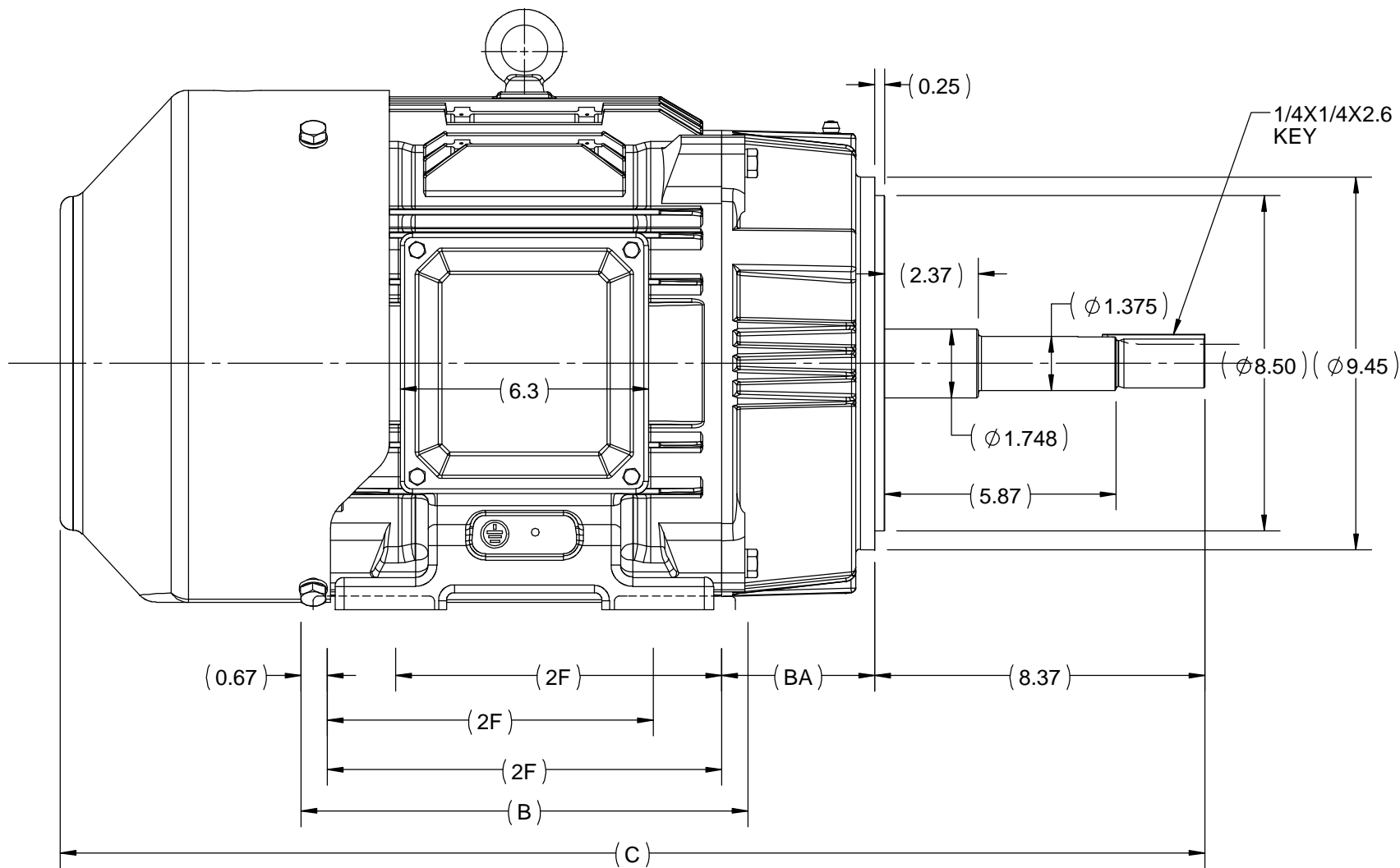
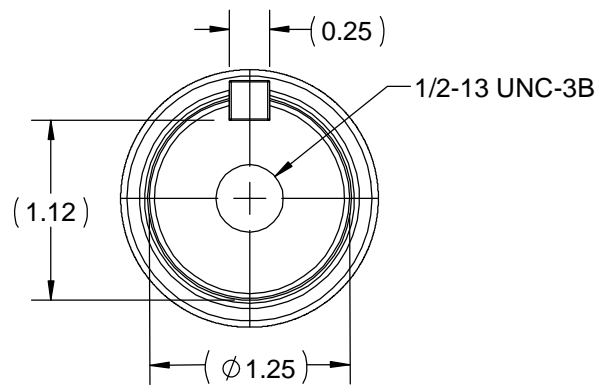
Uncontrolled Copy

2

1

B

B



A

A

256-JP	11.34	30.76	10	8	4.75
254-JP	9.60	29.02	8.25	4	4.75
FRAME	B	C	2F	N	BA

DRAWING REVISION B	REVISION BY I. RAMDAS	DATE 27/08/2018
ECO ECO-0151027	APPROVED BY JAY	DATE 27/08/2018

ECO DESCRIPTION
OUTLINE UPDATED AS PER 3D STRUCTURING
 COPYRIGHT REGAL BELOIT AMERICA, INC. ALL RIGHTS RESERVED.
 PROPRIETARY AND CONFIDENTIAL INFORMATION - THIS DOCUMENT IS THE PROPERTY OF
 REGAL BELOIT AMERICA, INC. ("OWNER") AND CONTAINS OWNER'S PROPRIETARY
 INFORMATION. ANY PERSON, CORPORATION OR OTHER FIRM RECEIVING IT IS DEEMED,
 BY RECEIVING IT, TO AGREE THAT IT, AND/OR ANY PART OF IT, SHALL NOT BE DISCLOSED
 TO ANY PERSON, CORPORATION OR OTHER ENTITY, DUPLICATED, AND/OR USED, EXCEPT
 AS EXPRESSLY APPROVED IN WRITING IN ADVANCE BY OWNER. THIS DOCUMENT SHALL
 BE RETURNED TO OWNER UPON REQUEST. IT MAY BE SUBJECT TO CERTAIN
 RESTRICTIONS UNDER APPLICABLE EXPORT CONTROL LAWS AND REGULATIONS.

DRAWN BY SN	DATE 12/04/2017
APPROVED BY SBD	DATE 12/04/2017
REFERENCE	THIRD ANGLE PROJECTION

REGAL-BELOIT CORPORATION	
OUTLINE TEFC-254/256 JP FR-CAST IRON	
MATERIAL	PROCESS/FINISH
SIZE B	DRAWING NUMBER SS620809
SHEET 1 OF 1	

4

3

2

1