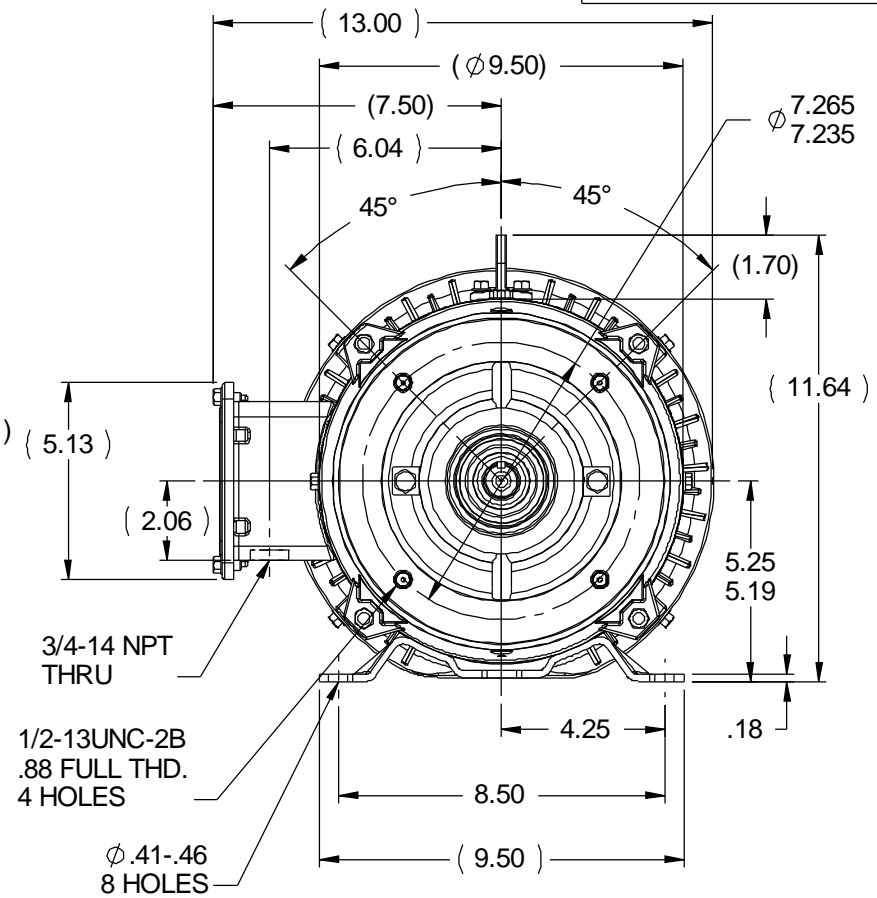
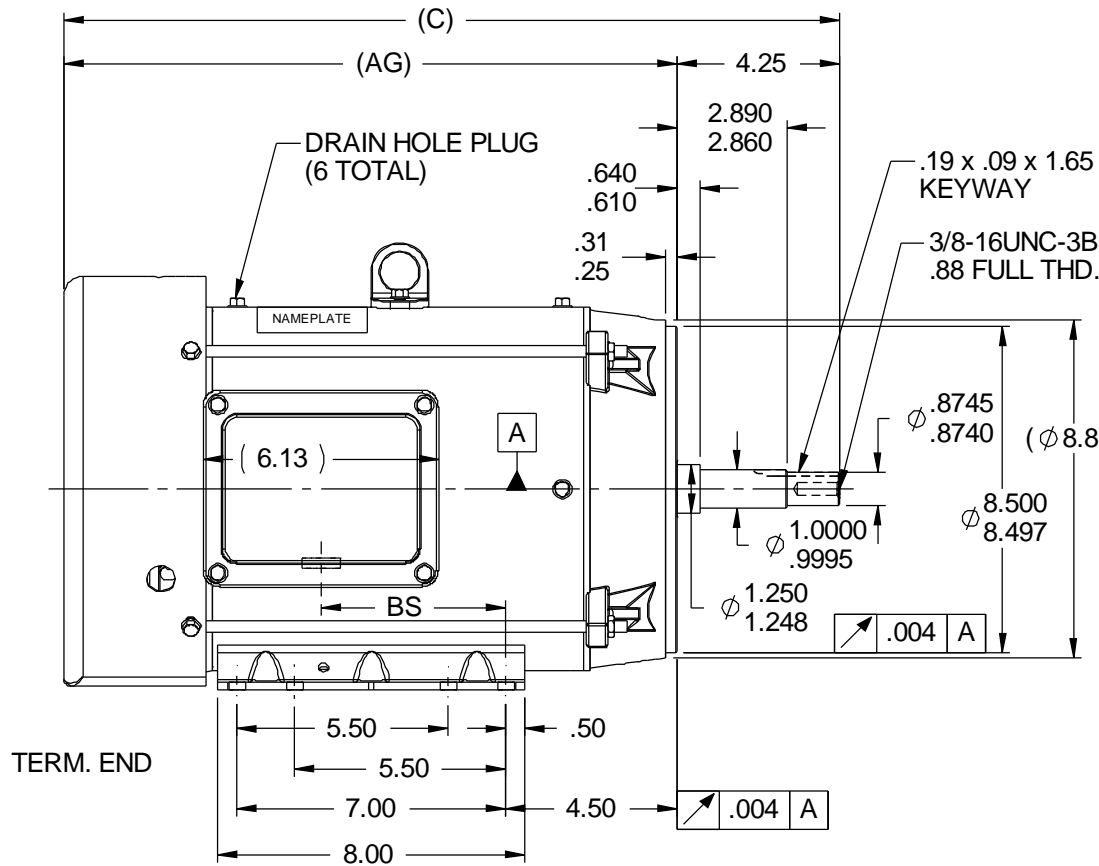


SS88927



TERM. END

DASH	FRAME	C	BS	AG
965	213JM	20.21	4.81	15.96
1115	213/15JM	21.71	6.31	17.46
1240	215JM	22.96	7.56	18.71

NOTES:
 1- NAMEPLATE TO BE READ FROM C'BOX SIDE OF MOTOR.
 2- DASH 965 TO BE READ FROM OPPOSITE SHAFT END.
 3- C'BOX CAN BE MOUNTED ON OPPOSITE SIDE BY REMOVING BRACKETS AND TURNING FRAME 180° (EXCEPT AS NOTED).

TOLERANCES UNLESS SPECIFIED		marathon® electric		DRAWN UD 08/21/13			
DEC	INCHES	TITLE OUTLINE - WASHDOWN 210FR. -TEFC - C'FACE - 3 PHASE		CHK SR 08/21/13			
.X	±.1			APPR			
.XX	±.03			SCALE 1:4			
.XXX	±.005			REF			
.XXXX	±.0005			FMF			
NO	REVISION	BY & DATE	CHK ANG ±1/2°	FINISH	PREV		
THIS DRAWING IN DESIGN AND DETAIL IS OUR PROPERTY AND MUST NOT BE USED EXCEPT IN CONNECTION WITH OUR WORK. ALL RIGHTS OF DESIGN AND INVENTION ARE RESERVED. THIS IS AN ELECTRONICALLY GENERATED DOCUMENT - DO NOT SCALE THIS PRINT			RFP	CAD FILE	SIZE	DRAWING NO	REV
			DIST	SS88927	A	SS88927	