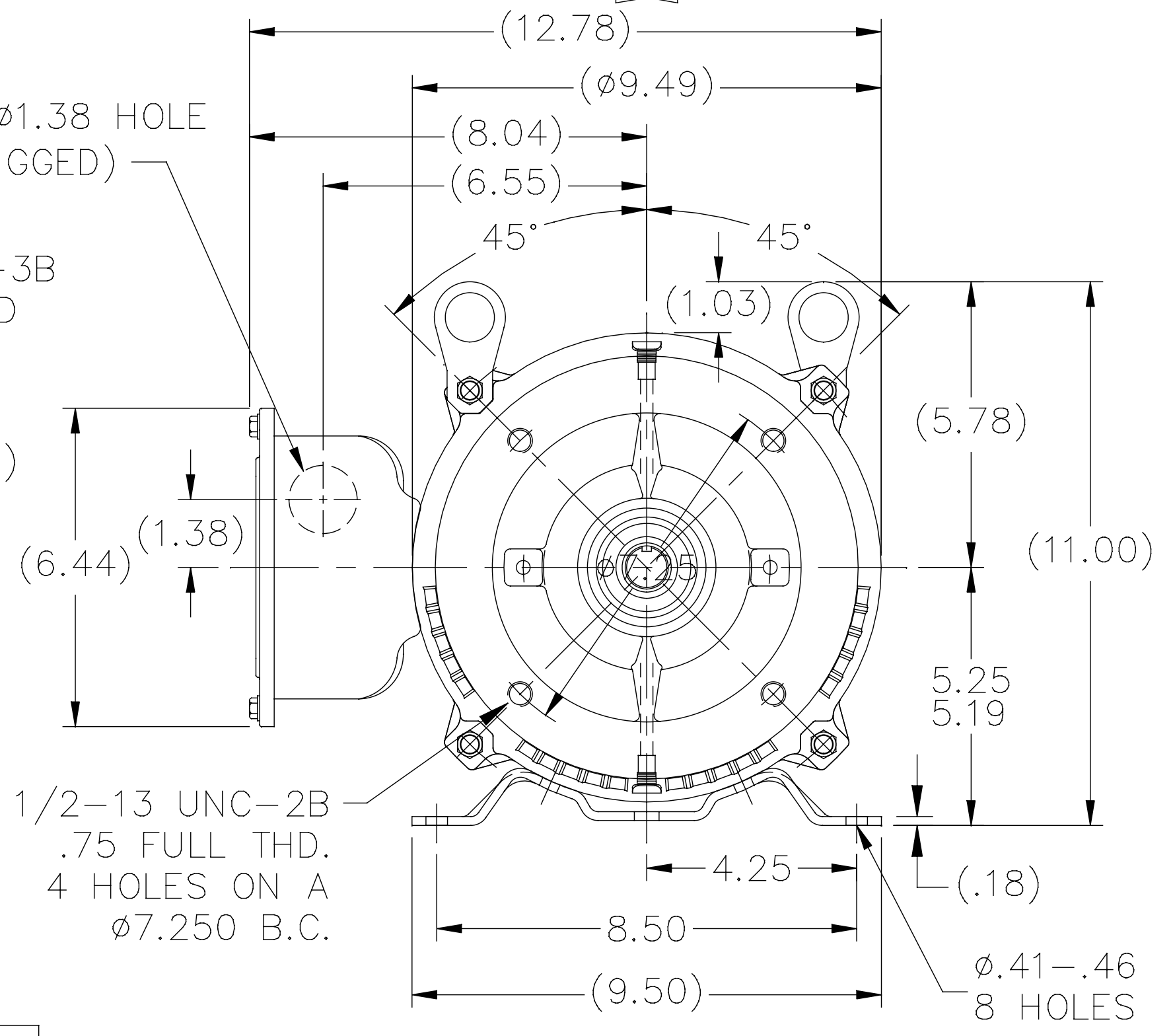
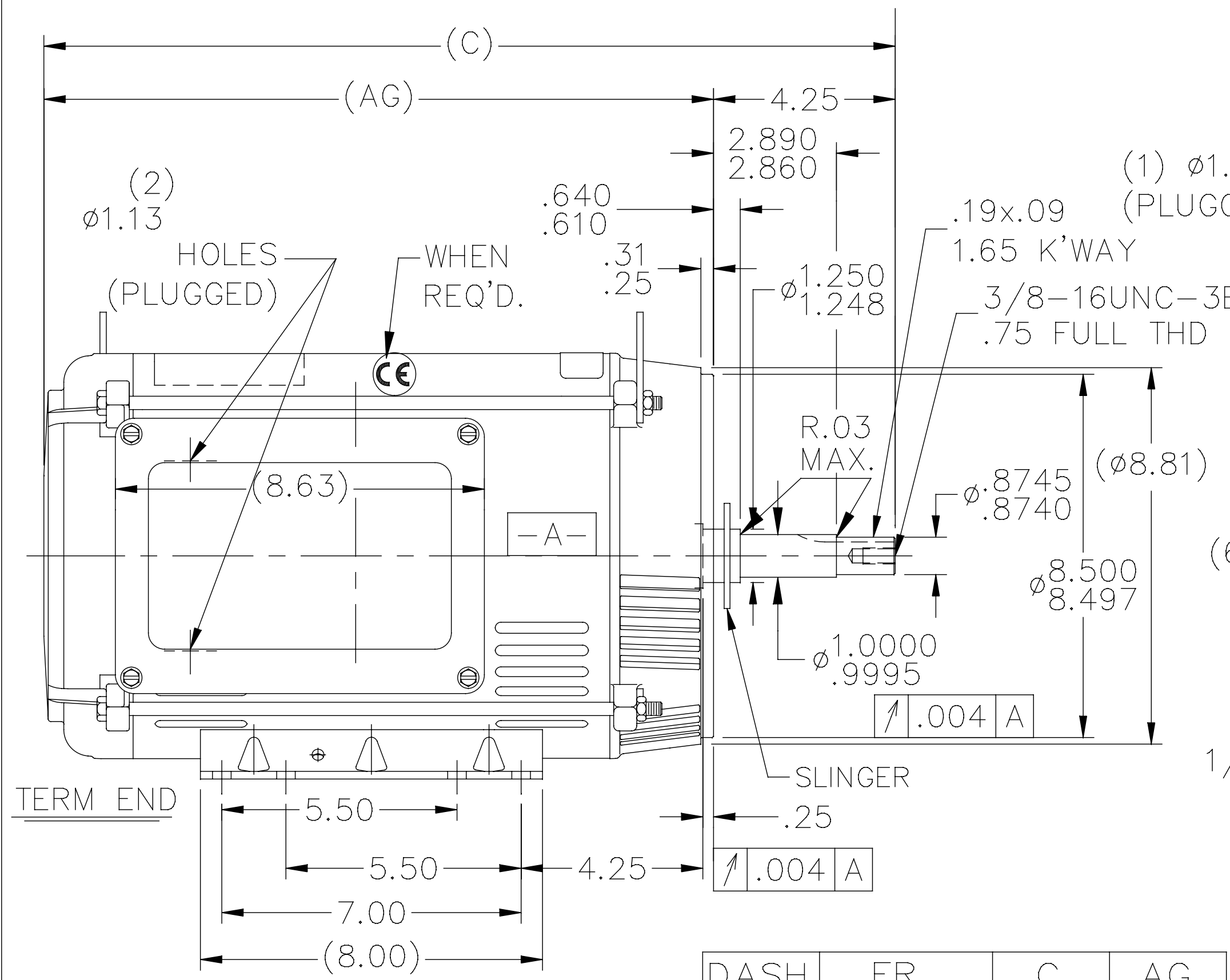


037643



ORACLE REV 001

| DASH | FR.      | C     | AG    |
|------|----------|-------|-------|
| 965  | 213JM    | 18.42 | 14.17 |
| 1115 | 213/15JM | 19.92 | 15.67 |
| 1240 | 213/15JM | 21.17 | 16.92 |

NOTES:  
1. NAMEPLATE TO BE READ FROM C'BOX SIDE OF MOTOR.

| NO.  | REVISION                            | BY & DATE   | CHK | TOLERANCES UNLESS SPECIFIED |             | MARATHON ELECTRIC         | DRAWN GRB 11/14/08 |             |        |
|--|-------------------------------------|-------------|-----|-----------------------------|-------------|---------------------------|--------------------|-------------|--------|
|  |                                     |             |     | DEC.                        | INCHES      |                           |                    |             |        |
|  |                                     |             |     | .X                          | $\pm$ .1    |                           | CHK SK 11/14/08    |             |        |
|  |                                     |             |     | .XX                         | $\pm$ .03   | TITLE OUTLINE - 210JM FR. | APPD               |             |        |
|  |                                     |             |     | .XXX                        | $\pm$ .005  | DP - 'C' FACE             | SCALE 1=4.2        |             |        |
| F  | ADDED "AJ" DIM OF 7.250 ECO 0083886 | GWS 8/21/15 |     | .XXXX                       | $\pm$ .0005 | MAT'L.                    | REF SS86664        |             |        |
|  |                                     |             |     | ANG                         | $\pm$ 7'30" | FINISH                    | FMF                |             |        |
|  |                                     |             | RFP |                             |             | CAD FILE 037643           | PREV               |             |        |
| THIS DRAWING IN DESIGN AND DETAIL IS OUR PROPERTY AND MUST NOT BE USED EXCEPT IN CONNECTION WITH OUR WORK ALL RIGHTS OF DESIGN AND INVENTION ARE RESERVED THIS IS AN ELECTRONICALLY GENERATED DOCUMENT - DO NOT SCALE THIS PRINT |                                     |             |     | DIST                        | LB          | SIZE A                    | DRAWING NO. 037643 | PAGE 1 OF 1 | REV. F |