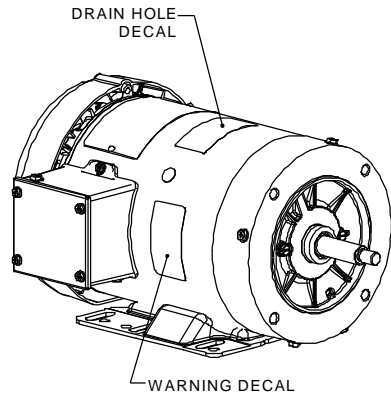
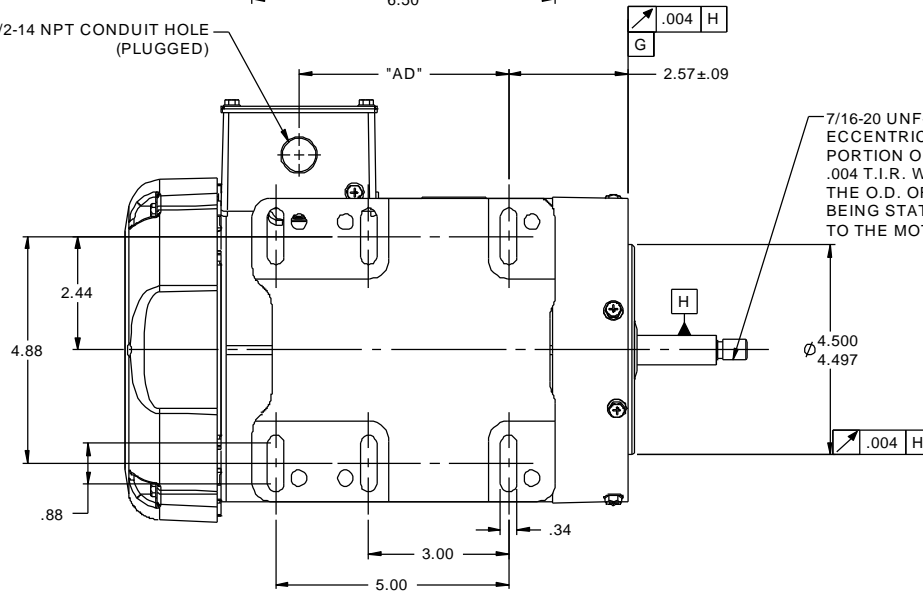


(1) 1/2-14 NPT CONDUIT HOLE (PLUGGED)



WASHGUARD MOTOR

- SPECIAL FEATURES:
1. SHAFT SEALS & V-RING.
 2. PLUGGED DRAIN HOLES IN ENDBELLS & CONDUIT BOX.
 3. BUNA-N GASKETS THROUGHOUT.
 4. STAINLESS STEEL SHAFT, HARDWARE & NAMEPLATE.

DASH NO.	"C"	"AD"
650	12.87	4.00
700	13.37	4.50
750	13.87	5.00
800	14.37	5.50

TOLERANCES UNLESS SPECIFIED			DRAWN UD 12/28/12
DEC	INCHES		CHK AB 12/28/12
X	±.1		APPR
XX	±.03		SCALE 3:8
XXX	±.005	TITLE OUTLINE - 56J FRAME	REF 607-0016
XXXX	±.0005	TEFC - RIGID "C" FACE	FMF 56T34W99009
NO	REVISION	MAT'L WASHGUARD - JET PUMP	PAGE OF
BY & DATE	CHK LANG ±1/2°	FINISH	REV
THIRD ANGLE PROJECTION	RFP	PREV	SIZE B
NETWORK FILE NAME 607-0016ME		DRAWING NO 607-0016ME	REV