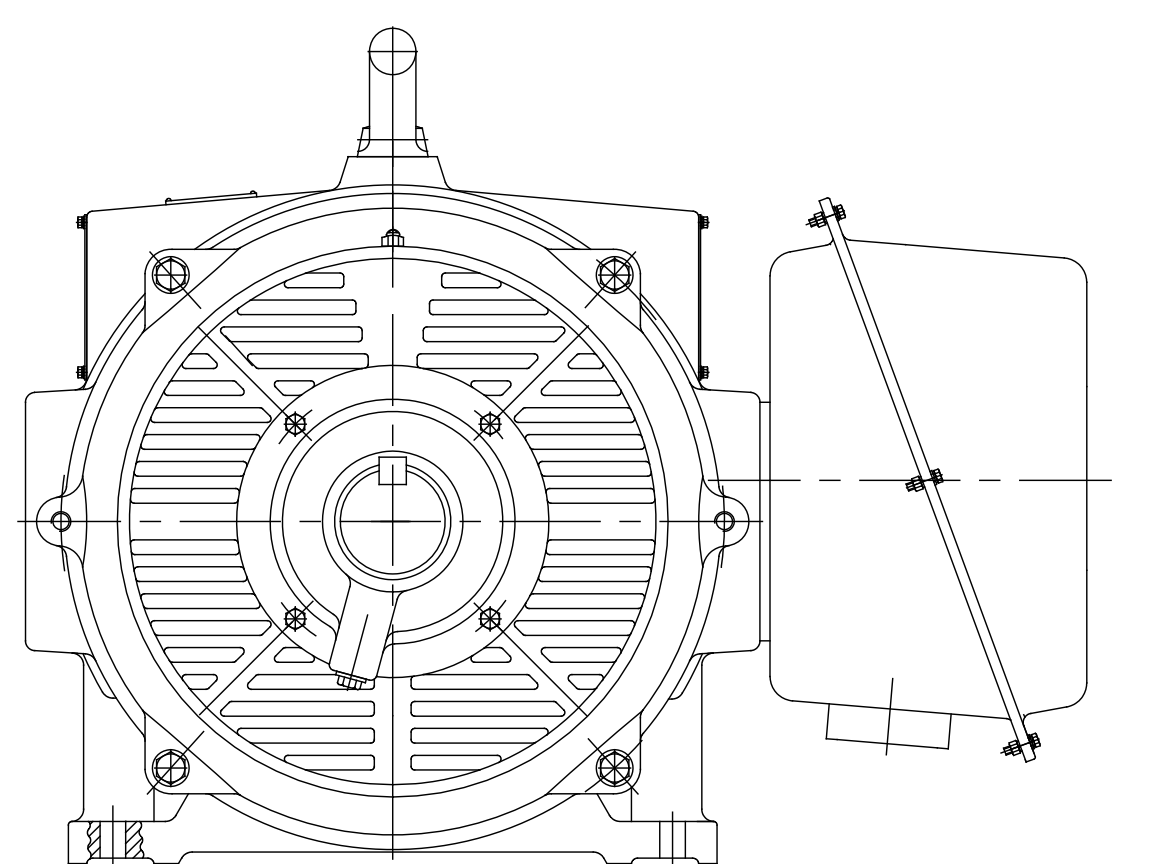


F2 MOUNTING



444TS				
445TS	40.83	25.2	14.5	16.5
447TS				
449TS	45.95	30.31	20	25
Frame	C	B	2F1	2F2

		TOLERANCES UNLESS SPECIFIED		REGAL REGAL-BELOIT CORPORATION		DRAWN ZXW 07-21-2016	
		DEC.	INCHES			CHK	
		.X	±.1	TITLE		SCALE NONE	
		.XX	±.03	444/445/447/449TS FR-ODP-CAST IRON		REF	
		.XXX	±.005	MAT'L.		FMF WUXI	
		.XXXX	±.0005	FINISH		PREV	
NO.	REVISION	BY & DATE	CHK	ANG	±7'30"	SIZE	DRAWING NO. PAGE 1 OF 1 REV.
			RFP			B	SS620756
			DIST				

THIS DRAWING IN DESIGN AND DETAIL IS OUR PROPERTY AND MUST NOT BE USED EXCEPT IN CONNECTION WITH OUR WORK ALL RIGHTS OF DESIGN AND INVENTION ARE RESERVED THIS IS AN ELECTRONICALLY GENERATED DOCUMENT - DO NOT SCALE THIS PRINT

CAD FILE SS620756

SIZE B DRAWING NO. PAGE 1 OF 1 REV.

SS620756