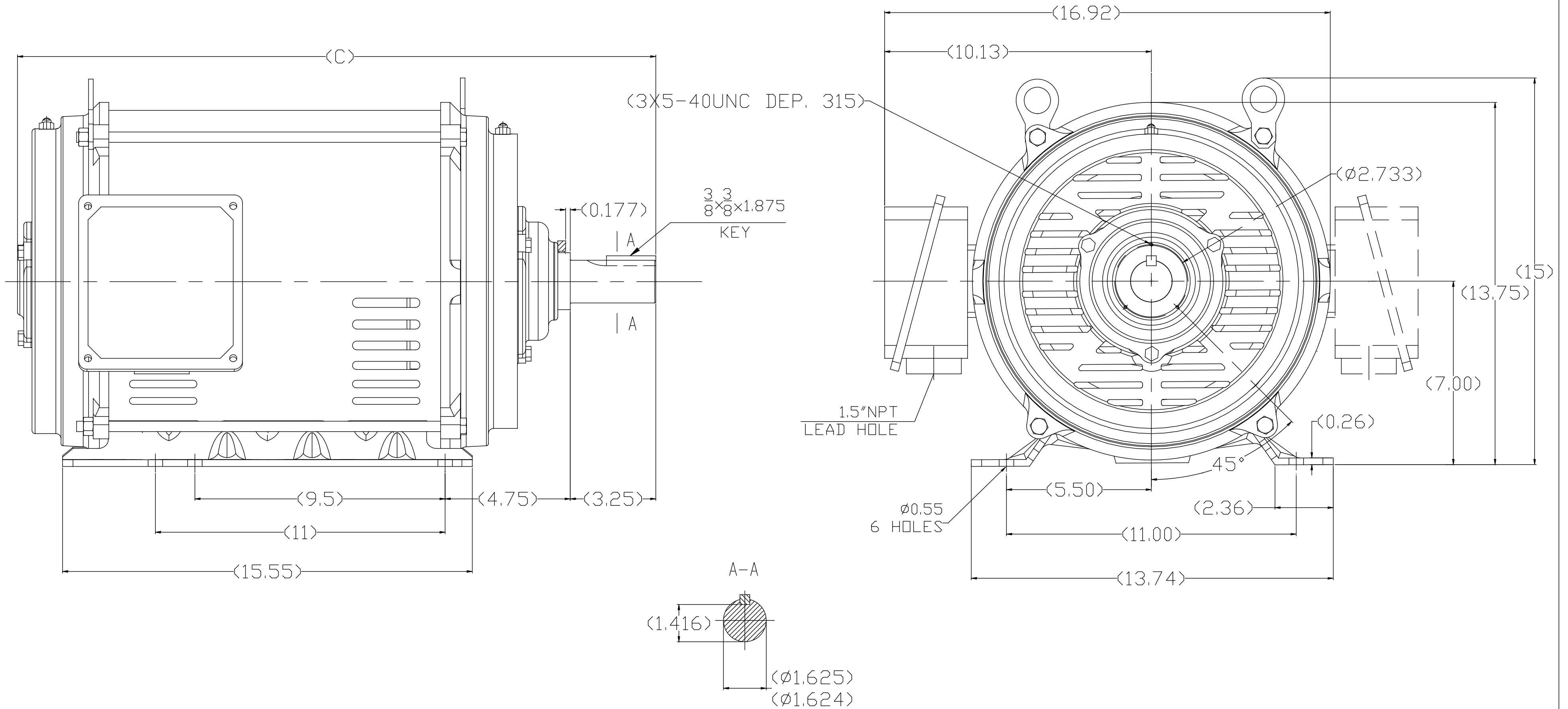


SS620709



284TS	24.34	YES
286TS	25.72	YES
FRAME	C	F1/F2

		TOLERANCES UNLESS SPECIFIED				DRAWN WY 25-2-2016	
		DEC.	INCHES			CHK ZXW 25-2-2016	
		.X	±.1			APPD ZYH 25-2-2016	
		.XX	±.03	TITLE		SCALE 1:1	
		.XXX	±.005	284/286TS FR.-ODP-ROLLED STEEL		REF	
A	RELEASED FOR PRODUCTION ECD-0116665	WGJ	1/19/17	EMH	.XXXX	±.0005	MAT'L.
NO.	REVISION	BY & DATE	CHK	ANG	±1/2°	FINISH	PREV
THIS DRAWING IN DESIGN AND DETAIL IS OUR PROPERTY AND MUST NOT BE USED EXCEPT IN CONNECTION WITH OUR WORK ALL RIGHTS OF DESIGN AND INVENTION ARE RESERVED THIS IS AN ELECTRONICALLY GENERATED DOCUMENT - DO NOT SCALE THIS PRINT				RFP	CAD FILE	SS620709	SIZE
				DIST			DRAWING NO. PAGE OF REV.
							B SS620709 A

