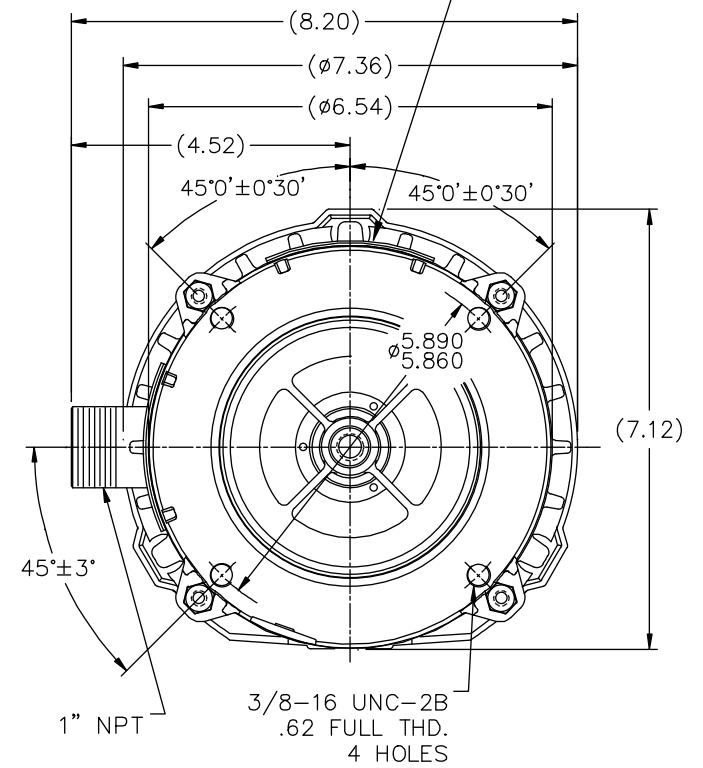
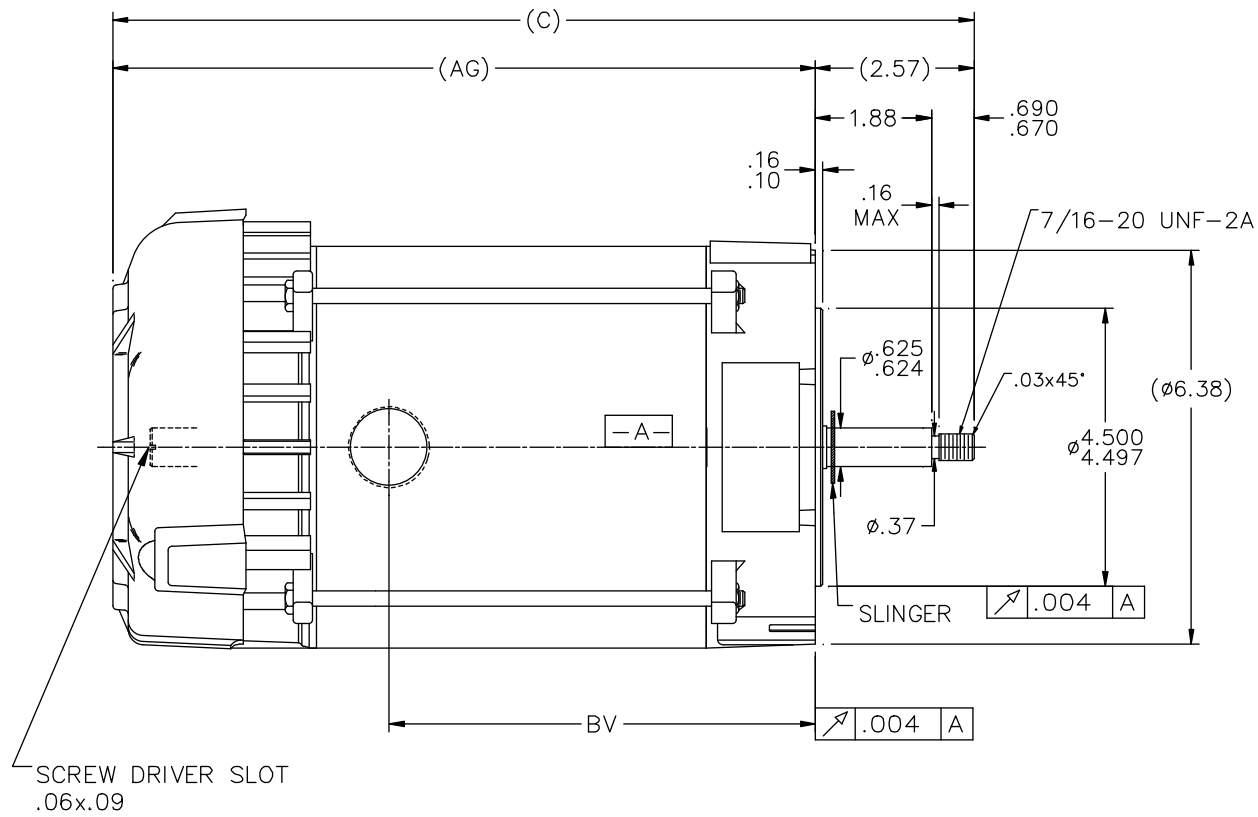


NAMEPLATES TO BE READ FROM SHAFT EXT. END.



DASH	C	AG	BV
631	13.95	11.38	6.90
681	14.45	11.88	7.40
731	14.95	12.38	7.90
781	15.45	12.88	8.40
831	15.95	13.38	8.90
881	16.45	13.88	9.40
931	16.95	14.38	9.90
981	17.45	14.88	10.40

		TOLERANCES UNLESS SPECIFIED			DRAWN MKLEIST 12-17-04	
		DEC.	INCHES		CHK	ML 01-12-05
		.X	±.1	APPD	DRN 01-13-05	
		.XX	±.03	SCALE	1=2	
		.XXX	±.005	REF		
1 CHANGED LOGO TO REGAL BELOIT		TAT 09-07-2005	ML .XXXX ±.0005	MAT'L.	FMF	
NO.	REVISION	BY & DATE	CHK ANG ±7'30"	FINISH	PREV	
THIS DRAWING IN DESIGN AND DETAIL IS OUR PROPERTY AND MUST NOT BE USED EXCEPT IN CONNECTION WITH OUR WORK ALL RIGHTS OF DESIGN AND INVENTION ARE RESERVED THIS IS AN ELECTRONICALLY GENERATED DOCUMENT - DO NOT SCALE THIS PRINT			RFP	CAD FILE 104213ge	SIZE B	
			DIST WP		DRAWING NO. 104213GE	
					PAGE OF 1	
					REV. 1	