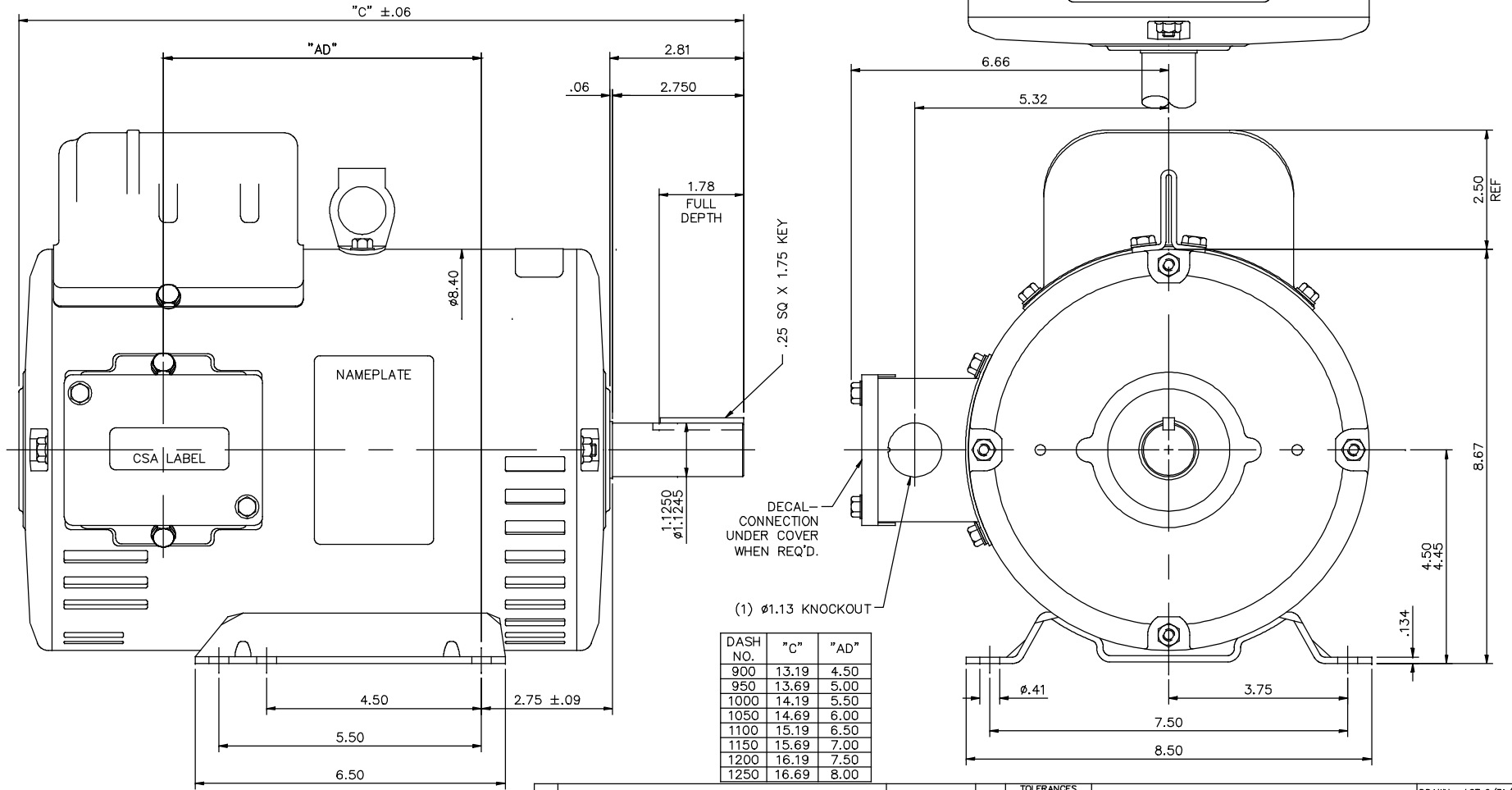


035514



GASKETS THROUGHOUT

		TOLERANCES UNLESS SPECIFIED		DRAWN LST 8/31/06	
		DEC.	INCHES	CHK	RW 8/31/06
		X	±.1	APPD	KH 8/31/06
		.XX	±.03	TITLE	OUTLINE- 180T FRAME DRIP PROOF- RIGID
02	KNOCK OUT WAS 1.34	MVG	09/05/17	GR	.XXX ±.005
01	CHANGED TO NEW CONDUIT BOX 022737	YS	04/08/08	.XXXX	±.0005
NO.	REVISION	BY & DATE	CHK	ANG	±1/2"
THIS DRAWING IN DESIGN AND DETAIL IS OUR PROPERTY AND MUST NOT BE USED EXCEPT IN CONNECTION WITH OUR WORK. ALL RIGHTS OF DESIGN AND INVENTION ARE RESERVED. THIS IS AN ELECTRONICALLY GENERATED DOCUMENT - DO NOT SCALE THIS PRINT		RFP	ANG	±1/2"	FINISH
		CAD FILE	035514	SIZE	DRAWING NO.
		DIST		B	035514
					REV.
					02

