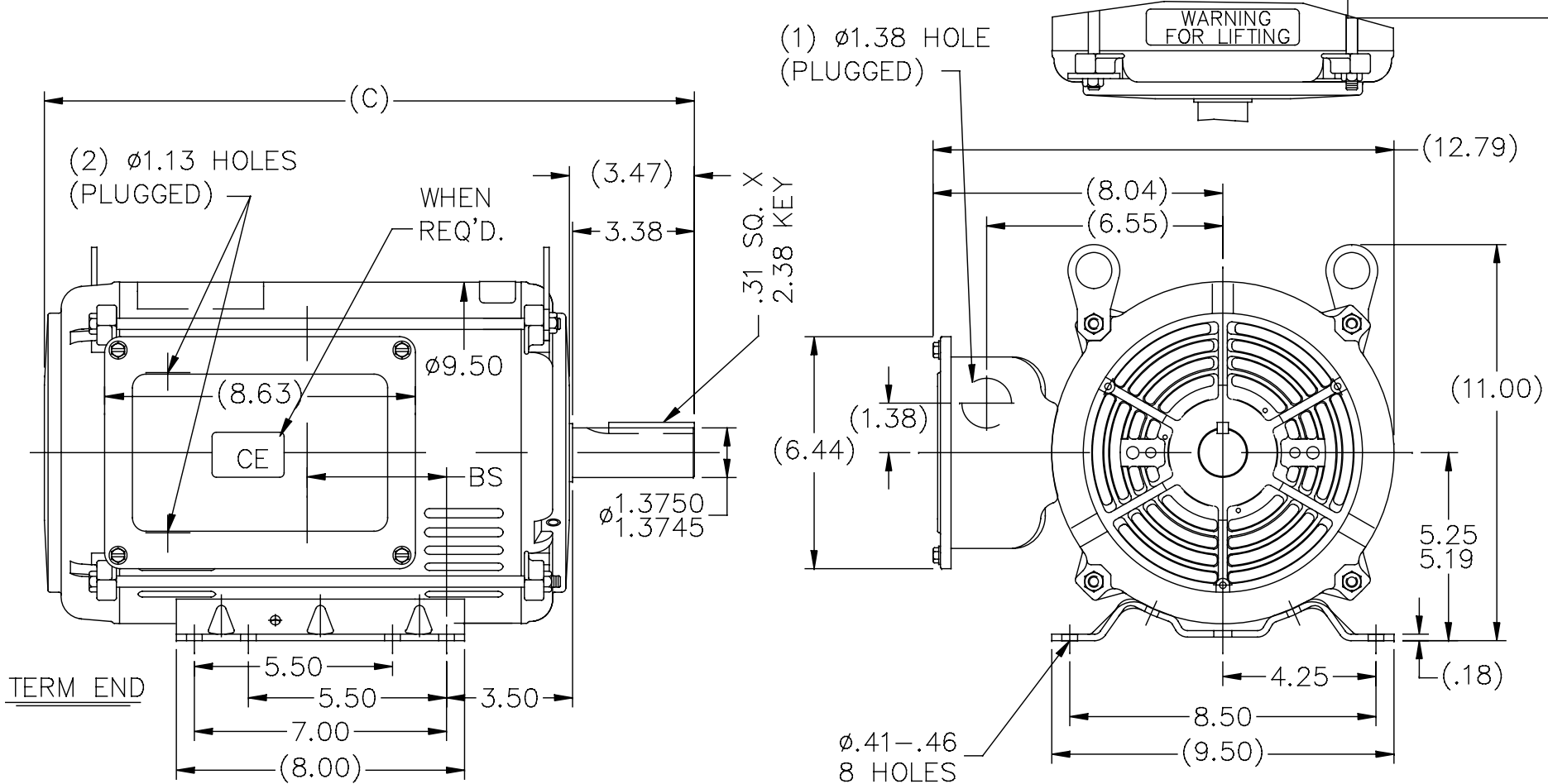


037642



DASH	FR.	C	BS
965	213T	16.55	2.45
1115	213/15T	18.05	3.95
1240	213/15T	19.30	5.20

NOTES:  
1. NAMEPLATE TO BE READ FROM C'BOX SIDE OF MOTOR.

				TOLERANCES UNLESS SPECIFIED		<b>Regal Beloit America, Inc.</b>		DRAWN GRB 11/14/08		
				DEC.	INCHES			CHK SK 11/14/08	APPD	
				.X	±.1	TITLE OUTLINE - 210T DP - RIGID - STD		SCALE	1=4.2	
02	CHANGED LOGO TO REGAL	SL 01/28/16	GR	.XXX	±.005			REF	SS86561	
01	DESCRIPTION CHANGED TO DP - RIGID - STD	AK 02/22/10		.XXXX	±.0005	MAT'L	FMF			
NO.	REVISION	BY & DATE	CHK	ANG	±7'30"	FINISH	PREV			
THIS DRAWING IN DESIGN AND DETAIL IS OUR PROPERTY AND MUST NOT BE USED EXCEPT IN CONNECTION WITH OUR WORK ALL RIGHTS OF DESIGN AND INVENTION ARE RESERVED THIS IS AN ELECTRONICALLY GENERATED DOCUMENT - DO NOT SCALE THIS PRINT				RFP	CAD FILE	037642	SIZE	DRAWING NO.	PAGE 1 OF 1	REV.
				DIST	LB		A	037642		02